

|           |       |
|-----------|-------|
| PROJECT   | _____ |
| TYPE      | _____ |
| SPECIFIER | _____ |
| QUANTITY  | _____ |
| DATE      | _____ |

## OIKO PRO IN SURFACE

### A3D342-

|             |             |           |            |
|-------------|-------------|-----------|------------|
| base number | Color       | Finishes  | Finishes   |
|             | Temperature | (Diamond) | (Triangle) |

- To build a product code in our configurator select the specify button on the base model # product page
- To build a manual product code on this datasheet choose from the options listed below in blue font and add the suffix to the base model #

#### GENERAL

|                                |
|--------------------------------|
| Series: Oiko Pro In            |
| Partner: Prolicht              |
| Division: Architectural        |
| Installation: Surface          |
| Product Type: Wallwash         |
| Mounting Location: Ceiling     |
| Light Distribution: Adjustable |

#### PHYSICAL

|   |
|---|
| Shape: Cylinder   |
| Diameter (mm): 65   |
| Diameter (in): 2 5/16   |
| Width (mm): 80  |
| Width (in): 3 1/8   |
| Height (mm): 120  |
| Height (in): 4 3/4  |
| Ceiling Thickness (mm): 1 - 25  |
| Ceiling Thickness (in): 1/16 - 1  |
| Min. Recessing Depth (mm): 50   |
| Min. Recessing Depth (in): 1 15/16  |
| Weight (kg): 0.441  |
| Weight (lbs): 0.972   |
| Fixture Finish: SSR / BKV / CWI / CRY / HAB / UFT / ITA / RUA / FTG / MYG / LOD / PUS / FRO / FUP / KIA / POP / BLS / SPG / MEY / GOH / CHC / COM / ABZ / JAG / OBR / MOS / ROR |
| Fixture Material: Aluminum  |
| Cut-out Measurements: 68mm / 2 11/16"   |

#### ELECTRICAL

|   |
|---|
| Lamp Type: LED  |
| Input Wattage (W): 19.3   |
| Total Output Wattage (W): 17.3  |
| Dimming: Tri-Mode (Non-Dimming and Phase Dimming (120Vac only) and 0-10V Dimming) |
| Driver Included: No   |
| Driver Location: Remote   |
| Driver Type: Constant Current - Universal   |
| Driver Class: Class 2   |
| Housing: ENCP3  |
| Input Voltage (V): 120 - 277  |
| Constant Current (MA): 500  |

#### LED

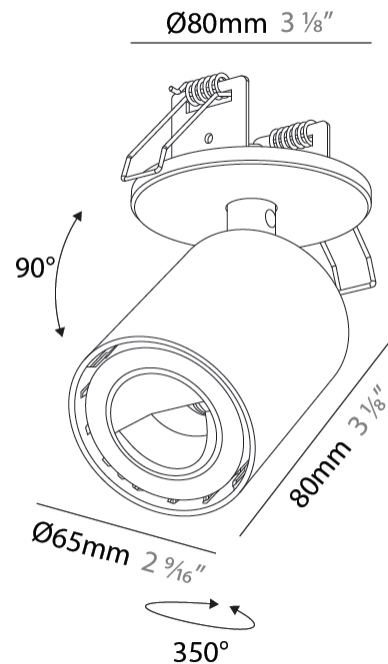
|  |
|--|
| Number of LEDs: 1                                    |
| Color Temperature (°K): 2700 / 3000 / 3500 / 4000    |
| Max. Delivered Lumen (lm): 1624 / 1632 / 1708 / 1724 |
| Nominal Lumen (lm): 2040 / 2050 / 2146 / 2166        |
| CRI: >90 CRI   |
| Lamp Life (hrs): 50000                               |

#### OPTICAL

|  |
|--|
| Adjustability: Rotational 350°; Tilt 90° |
|--|

#### RATINGS AND CERTIFICATIONS

|   |
|---|
| Certified By: CSA Certified to UL and CSA Standards |
| IP rating: IP20                                     |



A3D342-

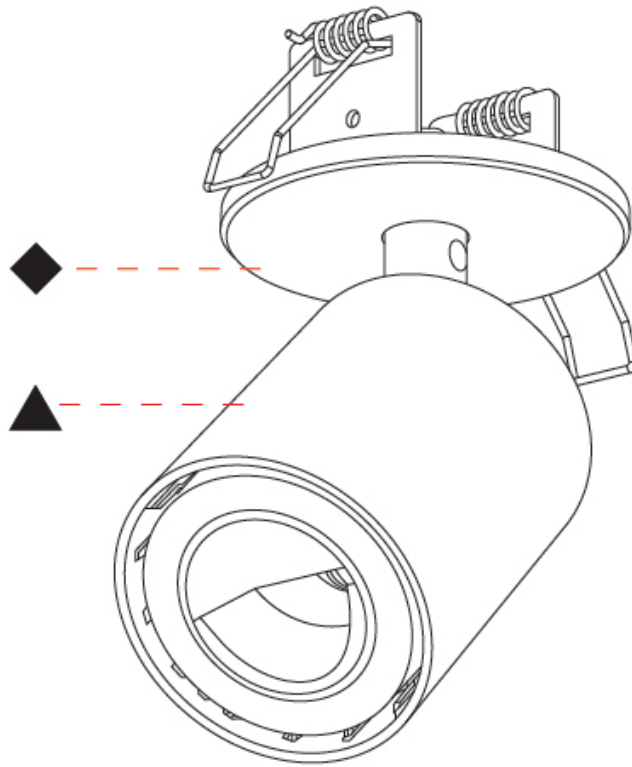
PROJECT

TYPE

SPECIFIER

QUANTITY

DATE



A

|           |       |
|-----------|-------|
| PROJECT   | _____ |
| TYPE      | _____ |
| SPECIFIER | _____ |
| QUANTITY  | _____ |
| DATE      | _____ |

## OIKO PRO IN SURFACE

### A3D343-

|             |             |           |            |
|-------------|-------------|-----------|------------|
| base number | Color       | Finishes  | Finishes   |
|             | Temperature | (Diamond) | (Triangle) |

- To build a product code in our configurator select the specify button on the base model # product page
- To build a manual product code on this datasheet choose from the options listed below in blue font and add the suffix to the base model #

#### GENERAL

|                                |
|--------------------------------|
| Series: Oiko Pro In            |
| Partner: Prolicht              |
| Division: Architectural        |
| Installation: Surface          |
| Product Type: Spots            |
| Mounting Location: Ceiling     |
| Light Distribution: Adjustable |

#### PHYSICAL

|   |
|---|
| Aperture Sizes - Downlights: 2"               |
| Shape: Cylinder                               |
| Diameter (mm): 65                             |
| Diameter (in): 2 <sup>9</sup> / <sub>16</sub> |
| Height (mm): 120                              |
| Depth (mm): 50                                |
| Height (in): 4 <sup>3</sup> / <sub>4</sub>    |
| Depth (in): 1 <sup>15</sup> / <sub>16</sub>   |

Fixture Finish: SSR / BKV / CWI / CRY / HAB / UFT / ITA / RUA / FTG / MYG / LOD / PUS / FRO / FUP / KIA / POP / BLS / SPG / MEY / GOH / CHC / COM / ABZ / JAG / OBR / MOS / ROR

|                                       |
|---------------------------------------|
| Fixture Material: Aluminum            |
| Cut-out Measurements: 68mm / 2 11/16" |

#### ELECTRICAL

|   |
|---|
| Lamp Type: LED  |
| Input Wattage (W): 20   |
| Total Output Wattage (W): 18.1  |
| Dimming: Tri-Mode (Non-Dimming and Phase Dimming (120Vac only) and 0-10V Dimming) |
| Driver Included: No   |
| Driver Location: Remote   |
| Driver Type: Constant Current - Universal   |
| Driver Class: Class 2   |
| Input Voltage (V): 120 - 277  |
| Constant Current (MA): 500  |

#### LED

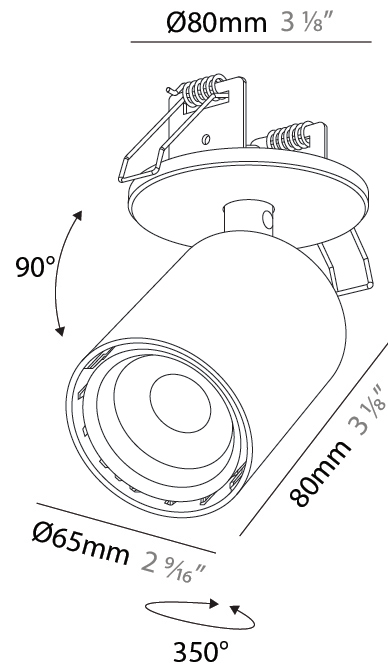
|  |
|--|
| Number of LEDs: 1                                    |
| Color Temperature (°K): 2700 / 3000 / 3500 / 4000    |
| Max. Delivered Lumen (lm): 1624 / 1632 / 1708 / 1724 |
| Nominal Lumen (lm): 2040 / 2050 / 2146 / 2166        |
| CRI: >90 CRI   |
| Lamp Life (hrs): 50000                               |

#### OPTICAL

|  |
|--|
| Beam Angle: 14                           |
| Adjustability: Rotational 350°; Tilt 90° |

#### RATINGS AND CERTIFICATIONS

|   |
|---|
| Certified By: CSA Certified to UL and CSA Standards |
| IP rating: IP20                                     |



A3D343-

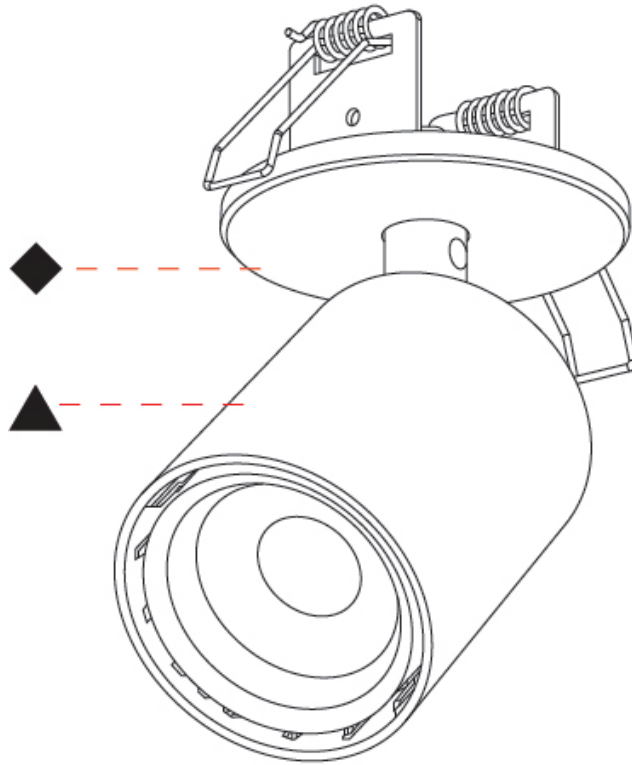
PROJECT \_\_\_\_\_

TYPE \_\_\_\_\_

SPECIFIER \_\_\_\_\_

QUANTITY \_\_\_\_\_

DATE \_\_\_\_\_



A

|           |       |
|-----------|-------|
| PROJECT   | _____ |
| TYPE      | _____ |
| SPECIFIER | _____ |
| QUANTITY  | _____ |
| DATE      | _____ |

## OIKO PRO IN SURFACE

### A3D344-

|             |             |           |            |
|-------------|-------------|-----------|------------|
| base number | Color       | Finishes  | Finishes   |
|             | Temperature | (Diamond) | (Triangle) |

- To build a product code in our configurator select the specify button on the base model # product page
- To build a manual product code on this datasheet choose from the options listed below in blue font and add the suffix to the base model #

#### GENERAL

|                                |
|--------------------------------|
| Series: Oiko Pro In            |
| Partner: Prolicht              |
| Division: Architectural        |
| Installation: Surface          |
| Product Type: Spots            |
| Mounting Location: Ceiling     |
| Light Distribution: Adjustable |

#### PHYSICAL

|   |
|---|
| Aperture Sizes - Downlights: 2"               |
| Shape: Cylinder                               |
| Diameter (mm): 65                             |
| Diameter (in): 2 <sup>9</sup> / <sub>16</sub> |
| Height (mm): 120                              |
| Depth (mm): 50                                |
| Height (in): 4 <sup>3</sup> / <sub>4</sub>    |
| Depth (in): 1 <sup>15</sup> / <sub>16</sub>   |

Fixture Finish: SSR / BKV / CWI / CRY / HAB / UFT / ITA / RUA / FTG / MYG / LOD / PUS / FRO / FUP / KIA / POP / BLS / SPG / MEY / GOH / CHC / COM / ABZ / JAG / OBR / MOS / ROR

|                                       |
|---------------------------------------|
| Fixture Material: Aluminum            |
| Cut-out Measurements: 68mm / 2 11/16" |

#### ELECTRICAL

|   |
|---|
| Lamp Type: LED                            |
| Input Wattage (W): 19.3                   |
| Total Output Wattage (W): 17.3            |
| Driver Included: No                       |
| Driver Location: Remote                   |
| Driver Type: Constant Current - Universal |
| Driver Class: Class 2                     |
| Input Voltage (V): 120 - 277              |
| Constant Current (MA): 500                |

#### LED

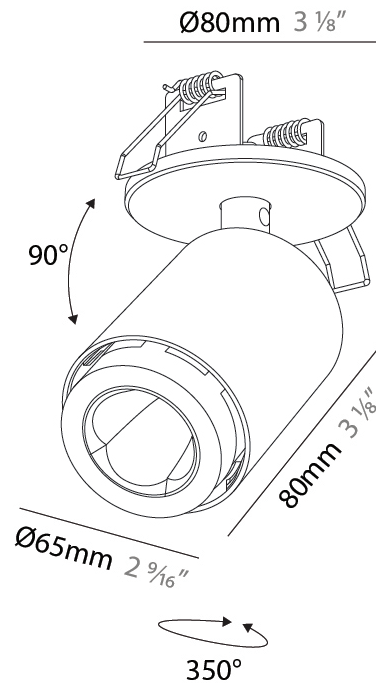
|  |
|--|
| Number of LEDs: 1                                    |
| Color Temperature (°K): 2700 / 3000 / 3500 / 4000    |
| Max. Delivered Lumen (lm): 1510 / 1517 / 1588 / 1603 |
| Nominal Lumen (lm): 2040 / 2050 / 2146 / 2166        |
| CRI: >90 CRI   |
| Lamp Life (hrs): 50000                               |

#### OPTICAL

|  |
|--|
| Beam Angle: 34                           |
| Adjustability: Rotational 350°; Tilt 90° |

#### RATINGS AND CERTIFICATIONS

|   |
|---|
| Certified By: CSA Certified to UL and CSA Standards |
| IP rating: IP20                                     |



A3D344-

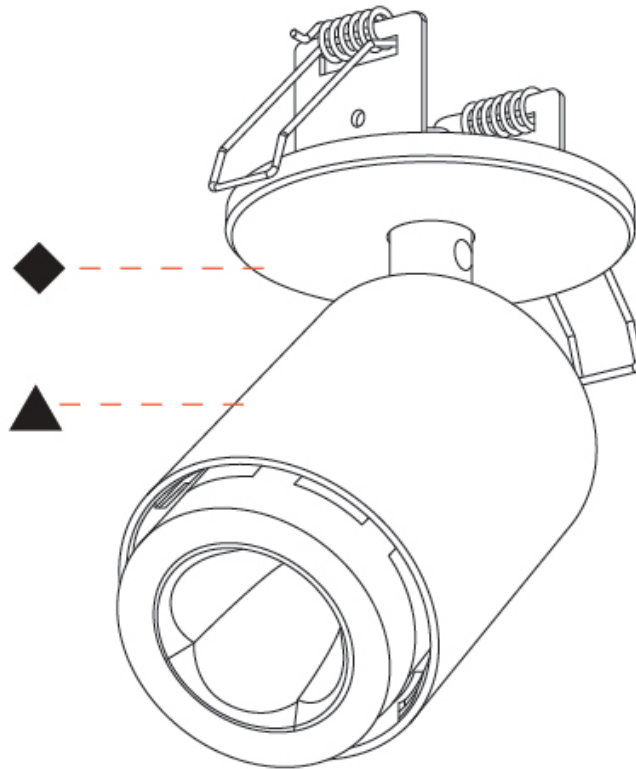
PROJECT \_\_\_\_\_

TYPE \_\_\_\_\_

SPECIFIER \_\_\_\_\_

QUANTITY \_\_\_\_\_

DATE \_\_\_\_\_



A

|           |       |
|-----------|-------|
| PROJECT   | _____ |
| TYPE      | _____ |
| SPECIFIER | _____ |
| QUANTITY  | _____ |
| DATE      | _____ |

## OIKO PRO IN SURFACE

### A3D345-

|             |             |           |            |
|-------------|-------------|-----------|------------|
| base number | Color       | Finishes  | Finishes   |
|             | Temperature | (Diamond) | (Triangle) |

- To build a product code in our configurator select the specify button on the base model # product page
- To build a manual product code on this datasheet choose from the options listed below in blue font and add the suffix to the base model #

#### GENERAL

|                                |
|--------------------------------|
| Series: Oiko Pro In            |
| Partner: Prolicht              |
| Division: Architectural        |
| Installation: Surface          |
| Product Type: Spots            |
| Mounting Location: Ceiling     |
| Light Distribution: Adjustable |

#### PHYSICAL

|   |
|---|
| Aperture Sizes - Downlights: 2"               |
| Shape: Cylinder                               |
| Diameter (mm): 65                             |
| Diameter (in): 2 <sup>9</sup> / <sub>16</sub> |
| Height (mm): 120                              |
| Depth (mm): 50                                |
| Height (in): 4 <sup>3</sup> / <sub>4</sub>    |
| Depth (in): 1 <sup>15</sup> / <sub>16</sub>   |

Fixture Finish: SSR / BKV / CWI / CRY / HAB / UFT / ITA / RUA / FTG / MYG / LOD / PUS / FRO / FUP / KIA / POP / BLS / SPG / MEY / GOH / CHC / COM / ABZ / JAG / OBR / MOS / ROR

|                                       |
|---------------------------------------|
| Fixture Material: Aluminum            |
| Cut-out Measurements: 68mm / 2 11/16" |

#### ELECTRICAL

|   |
|---|
| Lamp Type: LED                            |
| Input Wattage (W): 19                     |
| Total Output Wattage (W): 17.3            |
| Driver Included: No                       |
| Driver Location: Remote                   |
| Driver Type: Constant Current - Universal |
| Driver Class: Class 2                     |
| Input Voltage (V): 120 - 277              |
| Constant Current (MA): 500                |

#### LED

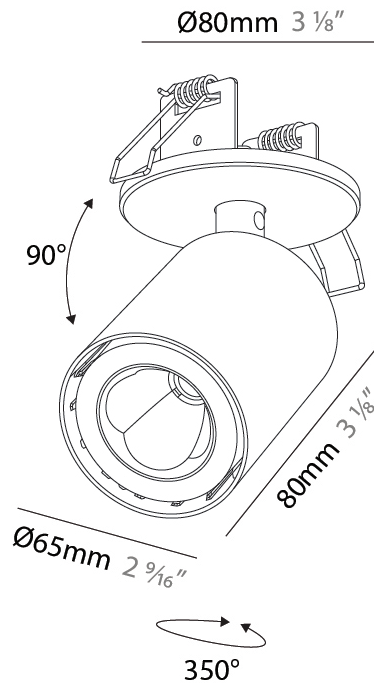
|  |
|--|
| Number of LEDs: 1                                    |
| Color Temperature (°K): 2700 / 3000 / 3500 / 4000    |
| Max. Delivered Lumen (lm): 1656 / 1665 / 1743 / 1759 |
| Nominal Lumen (lm): 2040 / 2050 / 2146 / 2166        |
| CRI: >90 CRI   |
| Lamp Life (hrs): 50000                               |

#### OPTICAL

|  |
|--|
| Beam Angle: 50                           |
| Adjustability: Rotational 350°; Tilt 90° |

#### RATINGS AND CERTIFICATIONS

|   |
|---|
| Certified By: CSA Certified to UL and CSA Standards |
| IP rating: IP20                                     |



A3D345-

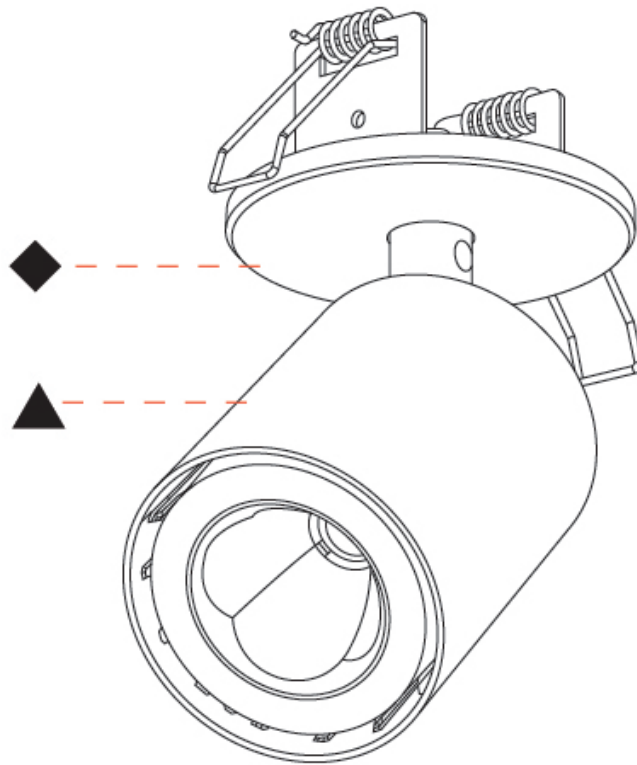
PROJECT \_\_\_\_\_

TYPE \_\_\_\_\_

SPECIFIER \_\_\_\_\_

QUANTITY \_\_\_\_\_

DATE \_\_\_\_\_



A

|           |       |
|-----------|-------|
| PROJECT   | _____ |
| TYPE      | _____ |
| SPECIFIER | _____ |
| QUANTITY  | _____ |
| DATE      | _____ |

## OIKO PRO IN SURFACE

### A3D346-

|             |             |           |            |
|-------------|-------------|-----------|------------|
| base number | Color       | Finishes  | Finishes   |
|             | Temperature | (Diamond) | (Triangle) |

- To build a product code in our configurator select the specify button on the base model # product page
- To build a manual product code on this datasheet choose from the options listed below in blue font and add the suffix to the base model #

#### GENERAL

|                                |
|--------------------------------|
| Series: Oiko Pro In            |
| Partner: Prolicht              |
| Division: Architectural        |
| Installation: Surface          |
| Product Type: Spots            |
| Mounting Location: Ceiling     |
| Light Distribution: Adjustable |

#### PHYSICAL

|   |
|---|
| Aperture Sizes - Downlights: 2"               |
| Shape: Cylinder                               |
| Diameter (mm): 65                             |
| Diameter (in): 2 <sup>9</sup> / <sub>16</sub> |
| Height (mm): 120                              |
| Depth (mm): 50                                |
| Height (in): 4 <sup>3</sup> / <sub>4</sub>    |
| Depth (in): 1 <sup>15</sup> / <sub>16</sub>   |

Fixture Finish: SSR / BKV / CWI / CRY / HAB / UFT / ITA / RUA / FTG / MYG / LOD / PUS / FRO / FUP / KIA / POP / BLS / SPG / MEY / GOH / CHC / COM / ABZ / JAG / OBR / MOS / ROR

|                                       |
|---------------------------------------|
| Fixture Material: Aluminum            |
| Cut-out Measurements: 68mm / 2 11/16" |

#### ELECTRICAL

|   |
|---|
| Lamp Type: LED                            |
| Input Wattage (W): 19                     |
| Total Output Wattage (W): 17.3            |
| Driver Included: No                       |
| Driver Location: Remote                   |
| Driver Type: Constant Current - Universal |
| Driver Class: Class 2                     |
| Input Voltage (V): 120 - 277              |
| Constant Current (MA): 500                |

#### LED

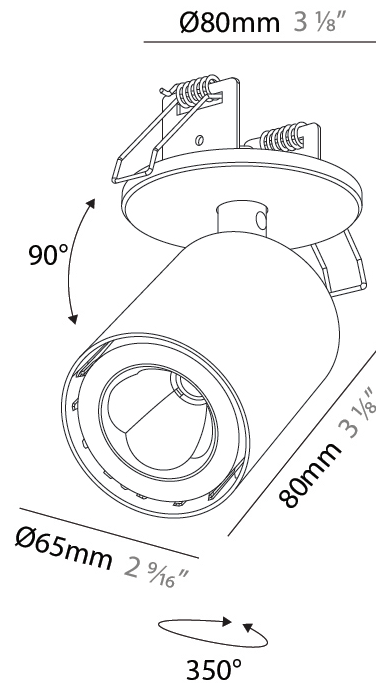
|  |
|--|
| Number of LEDs: 1                                    |
| Color Temperature (°K): 2700 / 3000 / 3500 / 4000    |
| Max. Delivered Lumen (lm): 1820 / 1829 / 1914 / 1932 |
| Nominal Lumen (lm): 2040 / 2050 / 2146 / 2166        |
| CRI: >90 CRI   |
| Lamp Life (hrs): 50000                               |

#### OPTICAL

|  |
|--|
| Beam Angle: 62                           |
| Adjustability: Rotational 350°; Tilt 90° |

#### RATINGS AND CERTIFICATIONS

|   |
|---|
| Certified By: CSA Certified to UL and CSA Standards |
| IP rating: IP20                                     |



A3D346-

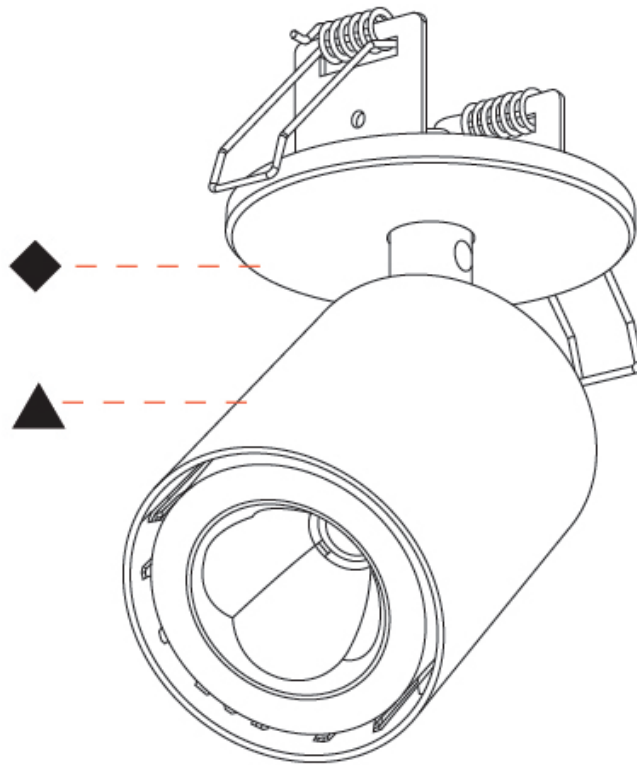
PROJECT

TYPE

SPECIFIER

QUANTITY

DATE



A

|           |       |
|-----------|-------|
| PROJECT   | _____ |
| TYPE      | _____ |
| SPECIFIER | _____ |
| QUANTITY  | _____ |
| DATE      | _____ |

## OIKO PRO IN SURFACE

### A3D347-

base number    Color    Finishes    Finishes  
 Temperature    (Diamond)    (Triangle)

- To build a product code in our configurator select the specify button on the base model # product page
- To build a manual product code on this datasheet choose from the options listed below in blue font and add the suffix to the base model #

#### GENERAL

Series: Oiko Pro In  
 Partner: Prolicht  
 Division: Architectural  
 Installation: Surface  
 Product Type: Wallwash  
 Mounting Location: Ceiling  
 Light Distribution: Adjustable

#### PHYSICAL

Shape: Cylinder  
 Diameter (mm): 65  
 Diameter (in): 2 <sup>9</sup>/<sub>16</sub>  
 Height (mm): 160  
 Height (in): 6 <sup>5</sup>/<sub>16</sub>  
 Fixture Finish: SSR / BKV / CWI / CRY / HAB / UFT / ITA / RUA / FTG / MYG / LOD / PUS / FRO / FUP / KIA / POP / BLS / SPG / MEY / GOH / CHC / COM / ABZ / JAG / OBR / MOS / ROR  
 Fixture Material: Aluminum

#### ELECTRICAL

Lamp Type: LED  
 Input Wattage (W): 19.1  
 Total Output Wattage (W): 17.3  
 Driver Included: No  
 Driver Location: Integrated  
 Driver Type: Constant Current - Universal  
 Driver Class: Class 2  
 Input Voltage (V): 120 - 277

#### LED

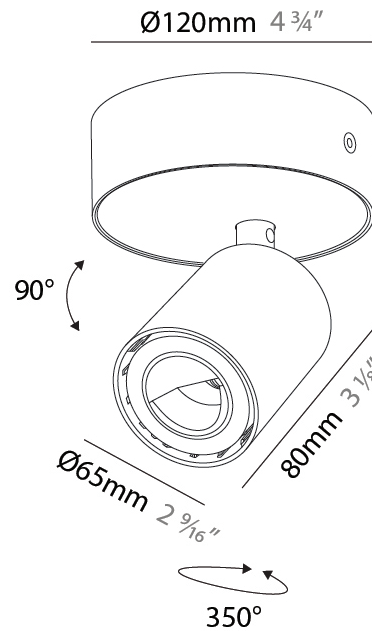
Number of LEDs: 1  
 Color Temperature (°K): 2700 / 3000 / 3500 / 4000  
 Max. Delivered Lumen (lm): 1624 / 1632 / 1708 / 1724  
 Nominal Lumen (lm): 2040 / 2050 / 2146 / 2166  
 CRI: >90 CRI  
 Lamp Life (hrs): 50000

#### OPTICAL

Adjustability: Rotational 350°; Tilt 90°

#### RATINGS AND CERTIFICATIONS

Certified By: CSA Certified to UL and CSA Standards  
 IP rating: IP20



A3D347-

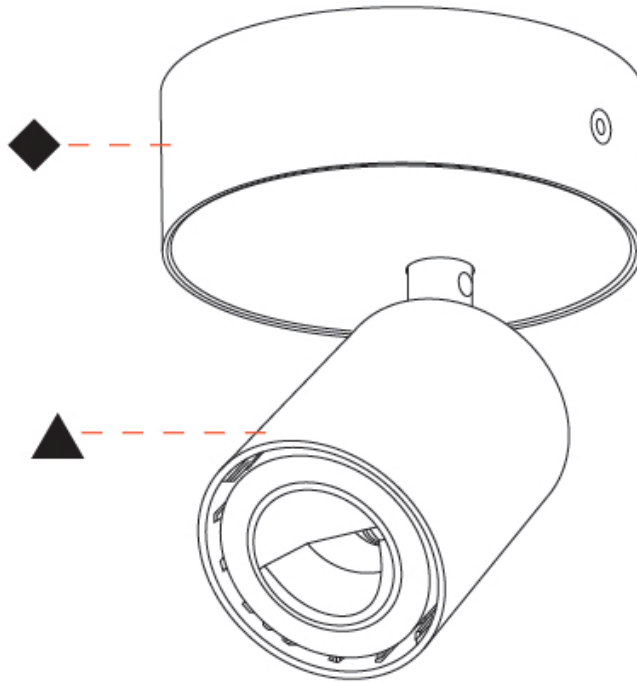
PROJECT

TYPE

SPECIFIER

QUANTITY

DATE



A

## OIKO PRO IN SURFACE

### A3D348-

base number    Color    Finishes    Finishes  
 Temperature    (Diamond)    (Triangle)

- To build a product code in our configurator select the specify button on the base model # product page
- To build a manual product code on this datasheet choose from the options listed below in blue font and add the suffix to the base model #

#### GENERAL

Series: Oiko Pro In  
 Partner: Prolicht  
 Division: Architectural  
 Installation: Surface  
 Product Type: Spots  
 Mounting Location: Ceiling  
 Light Distribution: Adjustable

#### PHYSICAL

Aperture Sizes - Downlights: 2"  
 Shape: Cylinder  
 Diameter (mm): 65  
 Diameter (in): 2 <sup>9</sup>/<sub>16</sub>  
 Height (mm): 160  
 Height (in): 6 <sup>5</sup>/<sub>16</sub>  
 Fixture Finish: SSR / BKV / CWI / CRY / HAB / UFT / ITA / RUA / FTG / MYG / LOD / PUS / FRO / FUP / KIA / POP / BLS / SPG / MEY / GOH / CHC / COM / ABZ / JAG / OBR / MOS / ROR  
 Fixture Material: Aluminum

#### ELECTRICAL

Lamp Type: LED  
 Input Wattage (W): 19.1  
 Total Output Wattage (W): 17.2  
 Driver Included: No  
 Driver Location: Integrated  
 Driver Type: Constant Current - Universal  
 Driver Class: Class 2  
 Input Voltage (V): 120 - 277

#### LED

Number of LEDs: 1  
 Color Temperature (°K): 2700 / 3000 / 3500 / 4000  
 Max. Delivered Lumen (lm): 1510 / 1517 / 1588 / 1603  
 Nominal Lumen (lm): 2040 / 2050 / 2146 / 2166  
 CRI: >90 CRI  
 Lamp Life (hrs): 50000

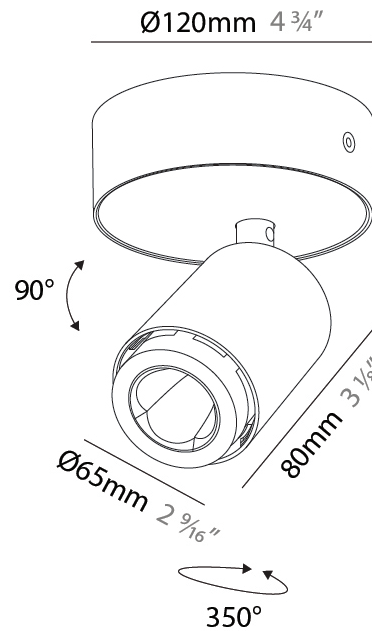
#### OPTICAL

Beam Angle: 34  
 Adjustability: Rotational 350°; Tilt 90°

#### RATINGS AND CERTIFICATIONS

Certified By: CSA Certified to UL and CSA Standards  
 IP rating: IP20

|           |
|-----------|
| PROJECT   |
| TYPE      |
| SPECIFIER |
| QUANTITY  |
| DATE      |



A3D348-

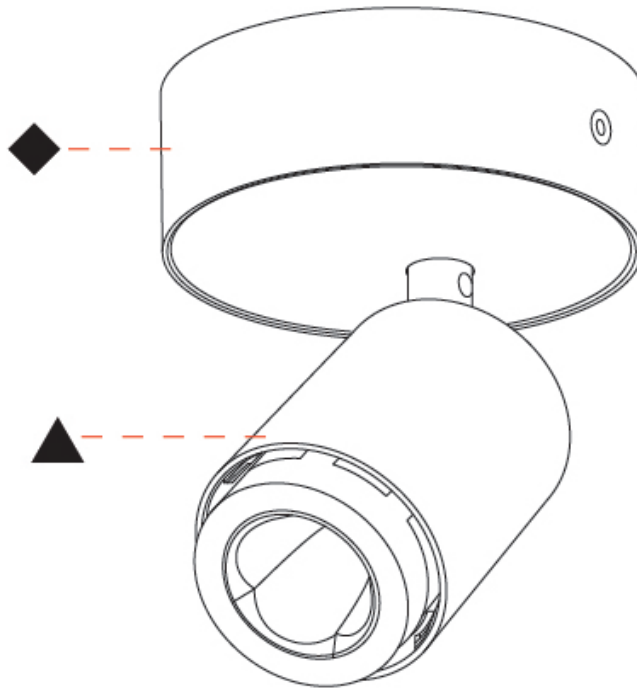
PROJECT

TYPE

SPECIFIER

QUANTITY

DATE



A

## OIKO PRO IN SURFACE

### A3D349-

base number    Color    Finishes    Finishes  
 Temperature    (Diamond)    (Triangle)

- To build a product code in our configurator select the specify button on the base model # product page
- To build a manual product code on this datasheet choose from the options listed below in blue font and add the suffix to the base model #

#### GENERAL

Series: Oiko Pro In  
 Partner: Prolicht  
 Division: Architectural  
 Installation: Surface  
 Product Type: Spots  
 Mounting Location: Ceiling  
 Light Distribution: Adjustable

#### PHYSICAL

Aperture Sizes - Downlights: 2"  
 Shape: Cylinder  
 Diameter (mm): 65  
 Diameter (in): 2 <sup>9</sup>/<sub>16</sub>  
 Height (mm): 160  
 Height (in): 6 <sup>5</sup>/<sub>16</sub>  
 Fixture Finish: SSR / BKV / CWI / CRY / HAB / UFT / ITA / RUA / FTG / MYG / LOD / PUS / FRO / FUP / KIA / POP / BLS / SPG / MEY / GOH / CHC / COM / ABZ / JAG / OBR / MOS / ROR  
 Fixture Material: Aluminum

#### ELECTRICAL

Lamp Type: LED  
 Input Wattage (W): 19.1  
 Total Output Wattage (W): 17.3  
 Driver Included: No  
 Driver Location: Integrated  
 Driver Type: Constant Current - Universal  
 Driver Class: Class 2  
 Input Voltage (V): 120 - 277

#### LED

Number of LEDs: 1  
 Color Temperature (°K): 2700 / 3000 / 3500 / 4000  
 Max. Delivered Lumen (lm): 1510 / 1517 / 1588 / 1603  
 Nominal Lumen (lm): 2040 / 2050 / 2146 / 2166  
 CRI: >90 CRI  
 Lamp Life (hrs): 50000

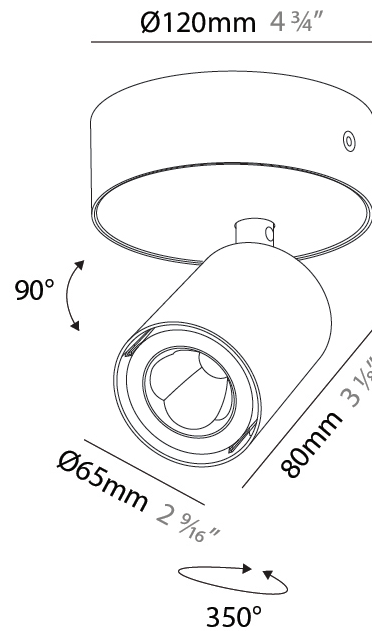
#### OPTICAL

Beam Angle: 50  
 Adjustability: Rotational 350°; Tilt 90°

#### RATINGS AND CERTIFICATIONS

Certified By: CSA Certified to UL and CSA Standards  
 IP rating: IP20

|           |
|-----------|
| PROJECT   |
| TYPE      |
| SPECIFIER |
| QUANTITY  |
| DATE      |



A3D349-

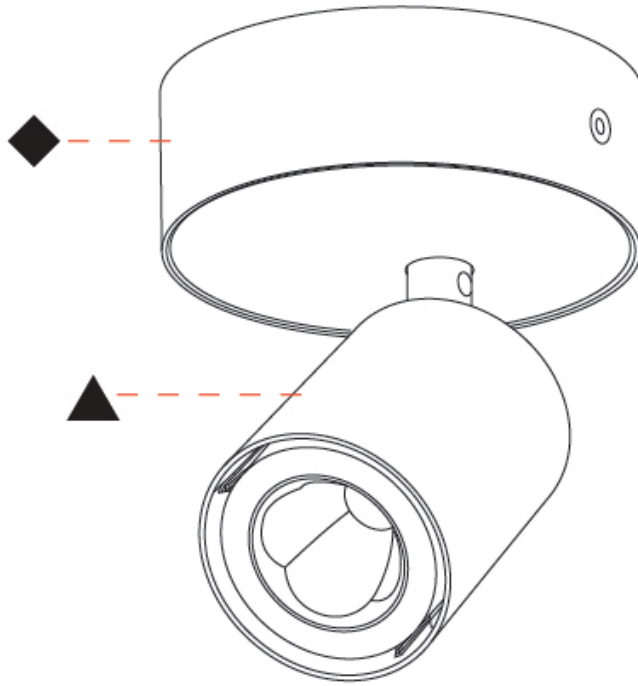
PROJECT

TYPE

SPECIFIER

QUANTITY

DATE



A

## OIKO PRO IN SURFACE

### A3D350-

base number    Color    Finishes    Finishes  
 Temperature    (Diamond)    (Triangle)

- To build a product code in our configurator select the specify button on the base model # product page
- To build a manual product code on this datasheet choose from the options listed below in blue font and add the suffix to the base model #

#### GENERAL

Series: Oiko Pro In  
 Partner: Prolicht  
 Division: Architectural  
 Installation: Surface  
 Product Type: Spots  
 Mounting Location: Ceiling  
 Light Distribution: Adjustable

#### PHYSICAL

Aperture Sizes - Downlights: 2"  
 Shape: Cylinder  
 Diameter (mm): 65  
 Diameter (in): 2 <sup>5</sup>/<sub>16</sub>  
 Height (mm): 160  
 Height (in): 6 <sup>5</sup>/<sub>16</sub>  
 Fixture Finish: SSR / BKV / CWI / CRY / HAB / UFT / ITA / RUA / FTG / MYG / LOD / PUS / FRO / FUP / KIA / POP / BLS / SPG / MEY / GOH / CHC / COM / ABZ / JAG / OBR / MOS / ROR  
 Fixture Material: Aluminum

#### ELECTRICAL

Lamp Type: LED  
 Input Wattage (W): 19.1  
 Total Output Wattage (W): 17.3  
 Driver Included: No  
 Driver Location: Integrated  
 Driver Type: Constant Current - Universal  
 Driver Class: Class 2  
 Input Voltage (V): 120 - 277

#### LED

Number of LEDs: 1  
 Color Temperature (°K): 2700 / 3000 / 3500 / 4000  
 Max. Delivered Lumen (lm): 1656 / 1665 / 1743 / 1759  
 Nominal Lumen (lm): 2040 / 2050 / 2146 / 2166  
 CRI: >90 CRI  
 Lamp Life (hrs): 50000

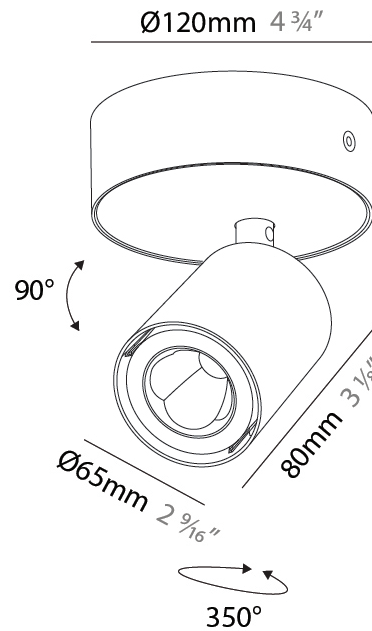
#### OPTICAL

Beam Angle: 60  
 Adjustability: Rotational 350°; Tilt 90°

#### RATINGS AND CERTIFICATIONS

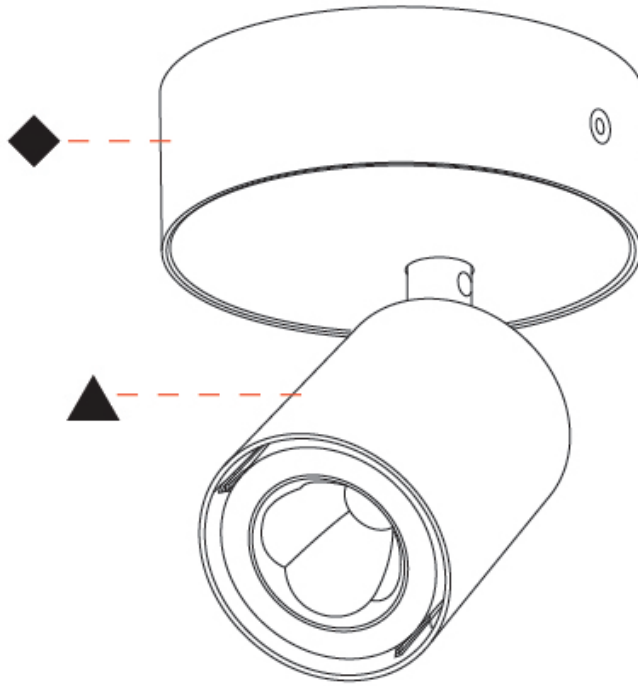
Certified By: CSA Certified to UL and CSA Standards  
 IP rating: IP20

|           |
|-----------|
| PROJECT   |
| TYPE      |
| SPECIFIER |
| QUANTITY  |
| DATE      |



A3D350-

|           |       |
|-----------|-------|
| PROJECT   | _____ |
| TYPE      | _____ |
| SPECIFIER | _____ |
| QUANTITY  | _____ |
| DATE      | _____ |



## OIKO PRO IN SURFACE

### A3D351-

base number    Color    Finishes    Finishes  
 Temperature    (Diamond)    (Triangle)

- To build a product code in our configurator select the specify button on the base model # product page
- To build a manual product code on this datasheet choose from the options listed below in blue font and add the suffix to the base model #

#### GENERAL

Series: Oiko Pro In  
 Partner: Prolicht  
 Division: Architectural  
 Installation: Surface  
 Product Type: Spots  
 Mounting Location: Ceiling  
 Light Distribution: Adjustable

#### PHYSICAL

Aperture Sizes - Downlights: 2"  
 Shape: Cylinder  
 Diameter (mm): 65  
 Diameter (in): 2 <sup>5</sup>/<sub>16</sub>  
 Height (mm): 160  
 Height (in): 6 <sup>5</sup>/<sub>16</sub>  
 Fixture Finish: SSR / BKV / CWI / CRY / HAB / UFT / ITA / RUA / FTG / MYG / LOD / PUS / FRO / FUP / KIA / POP / BLS / SPG / MEY / GOH / CHC / COM / ABZ / JAG / OBR / MOS / ROR  
 Fixture Material: Aluminum

#### ELECTRICAL

Lamp Type: LED  
 Input Wattage (W): 21  
 Total Output Wattage (W): 19.1  
 Driver Included: No  
 Driver Location: Integrated  
 Driver Type: Constant Current - Universal  
 Driver Class: Class 2  
 Input Voltage (V): 120 - 277

#### LED

Number of LEDs: 1  
 Color Temperature (°K): 2700 / 3000 / 3500 / 4000  
 Max. Delivered Lumen (lm): 1624 / 1632 / 1708 / 1724  
 Nominal Lumen (lm): 2040 / 2050 / 2146 / 2166  
 CRI: >90 CRI  
 Lamp Life (hrs): 50000

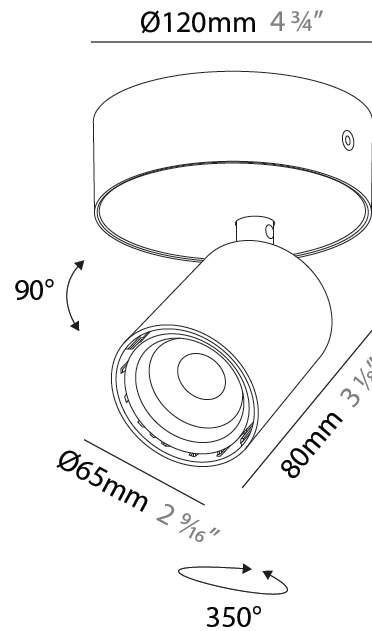
#### OPTICAL

Beam Angle: 14  
 Adjustability: Rotational 350°; Tilt 90°

#### RATINGS AND CERTIFICATIONS

Certified By: CSA Certified to UL and CSA Standards  
 IP rating: IP20

|           |
|-----------|
| PROJECT   |
| TYPE      |
| SPECIFIER |
| QUANTITY  |
| DATE      |



A3D351-

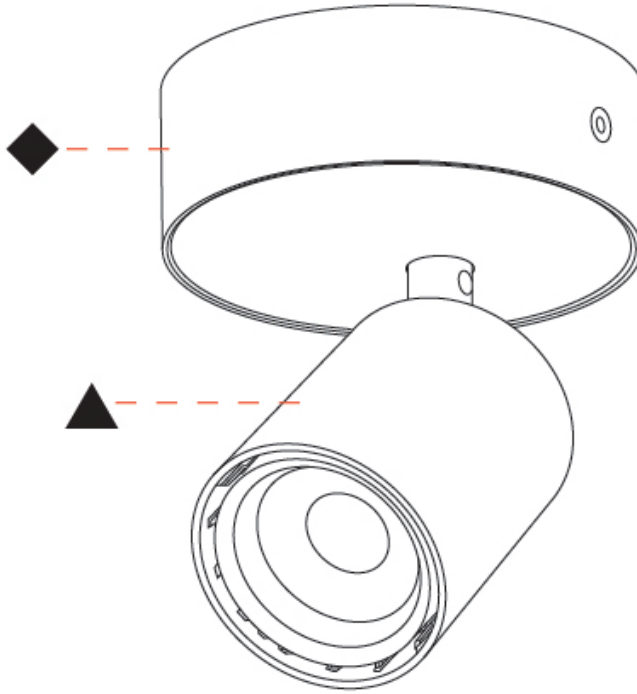
PROJECT

TYPE

SPECIFIER

QUANTITY

DATE



A

|           |       |
|-----------|-------|
| PROJECT   | _____ |
| TYPE      | _____ |
| SPECIFIER | _____ |
| QUANTITY  | _____ |
| DATE      | _____ |

## OIKO PRO IN TRIMLESS

### A3D352-

|             |             |           |            |
|-------------|-------------|-----------|------------|
| base number | Color       | Finishes  | Finishes   |
|             | Temperature | (Diamond) | (Triangle) |

- To build a product code in our configurator select the specify button on the base model # product page
- To build a manual product code on this datasheet choose from the options listed below in blue font and add the suffix to the base model #

#### GENERAL

|                                |
|--------------------------------|
| Series: Oiko Pro In            |
| Partner: Prolicht              |
| Division: Architectural        |
| Installation: Trimless         |
| Product Type: Wallwash         |
| Mounting Location: Ceiling     |
| Light Distribution: Adjustable |

#### PHYSICAL

|   |
|---|
| Shape: Cylinder   |
| Diameter (mm): 65   |
| Diameter (in): 2 <sup>9</sup> / <sub>16</sub>   |
| Height (mm): 120  |
| Depth (mm): 50  |
| Height (in): 4 <sup>3</sup> / <sub>4</sub>  |
| Depth (in): 1 <sup>15</sup> / <sub>16</sub>   |
| Ceiling Thickness (mm): 10 - 25   |
| Ceiling Thickness (in): 1/16" - 1 3/16"   |
| Fixture Finish: SSR / BKV / CWI / CRY / HAB / UFT / ITA / RUA / FTG / MYG / LOD / PUS / FRO / FUP / KIA / POP / BLS / SPG / MEY / GOH / CHC / COM / ABZ / JAG / OBR / MOS / ROR |
| Fixture Material: Aluminum  |
| Cut-out Measurements: 86mm / 3 3/8"   |

#### ELECTRICAL

|   |
|---|
| Lamp Type: LED                            |
| Input Wattage (W): 19.1                   |
| Total Output Wattage (W): 17.3            |
| Driver Included: No                       |
| Driver Location: Remote                   |
| Driver Type: Constant Current - Universal |
| Driver Class: Class 2                     |
| Input Voltage (V): 120 - 277              |
| Constant Current (MA): 500                |

#### LED

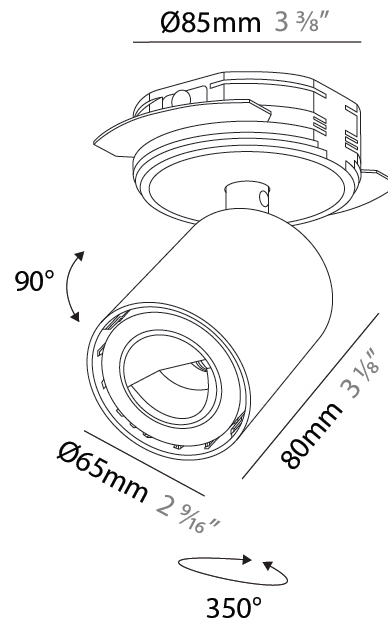
|  |
|--|
| Number of LEDs: 1                                    |
| Color Temperature (°K): 2700 / 3000 / 3500 / 4000    |
| Max. Delivered Lumen (lm): 1624 / 1632 / 1708 / 1724 |
| Nominal Lumen (lm): 2040 / 2050 / 2146 / 2166        |
| CRI: >90 CRI   |
| Lamp Life (hrs): 50000                               |

#### OPTICAL

|  |
|--|
| Adjustability: Rotational 350°; Tilt 90° |
|--|

#### RATINGS AND CERTIFICATIONS

|   |
|---|
| Certified By: CSA Certified to UL and CSA Standards |
| IP rating: IP20                                     |



A3D352-

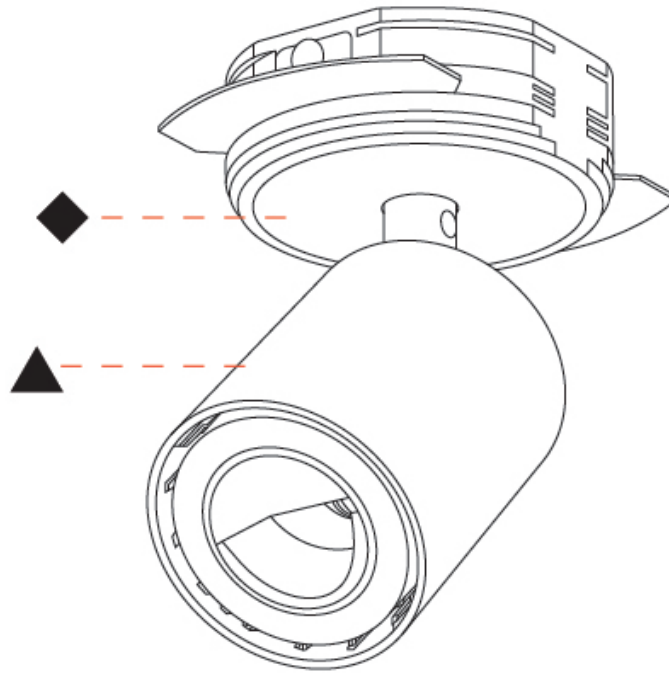
PROJECT \_\_\_\_\_

TYPE \_\_\_\_\_

SPECIFIER \_\_\_\_\_

QUANTITY \_\_\_\_\_

DATE \_\_\_\_\_



## OIKO PRO IN TRIMLESS

### A3D353-

base number    Color    Finishes    Finishes  
 Temperature    (Diamond)    (Triangle)

- To build a product code in our configurator select the specify button on the base model # product page
- To build a manual product code on this datasheet choose from the options listed below in blue font and add the suffix to the base model #

#### GENERAL

Series: Oiko Pro In  
 Partner: Prolicht  
 Division: Architectural  
 Installation: Trimless  
 Product Type: Spots  
 Mounting Location: Ceiling  
 Light Distribution: Adjustable

#### PHYSICAL

Aperture Sizes - Downlights: 2"  
 Shape: Cylinder  
 Diameter (mm): 65  
 Diameter (in): 2 <sup>9</sup>/<sub>16</sub>  
 Height (mm): 120  
 Depth (mm): 50  
 Height (in): 4 <sup>3</sup>/<sub>4</sub>  
 Depth (in): 1 <sup>15</sup>/<sub>16</sub>

Fixture Finish: SSR / BKV / CWI / CRY / HAB / UFT / ITA / RUA / FTG / MYG / LOD / PUS / FRO / FUP / KIA / POP / BLS / SPG / MEY / GOH / CHC / COM / ABZ / JAG / OBR / MOS / ROR

Fixture Material: Aluminum  
 Cut-out Measurements: 86mm / 3 3/8"

#### ELECTRICAL

Lamp Type: LED  
 Input Wattage (W): 12  
 Total Output Wattage (W): 19.1  
 Driver Included: No  
 Driver Location: Remote  
 Driver Type: Constant Current - Universal  
 Driver Class: Class 2  
 Input Voltage (V): 120 - 277  
 Constant Current (MA): 500

#### LED

Number of LEDs: 1  
 Color Temperature (°K): 2700 / 3000 / 3500 / 4000  
 Max. Delivered Lumen (lm): 1624 / 1632 / 1708 / 1724  
 Nominal Lumen (lm): 2040 / 2050 / 2146 / 2166  
 CRI: >90 CRI  
 Lamp Life (hrs): 50000

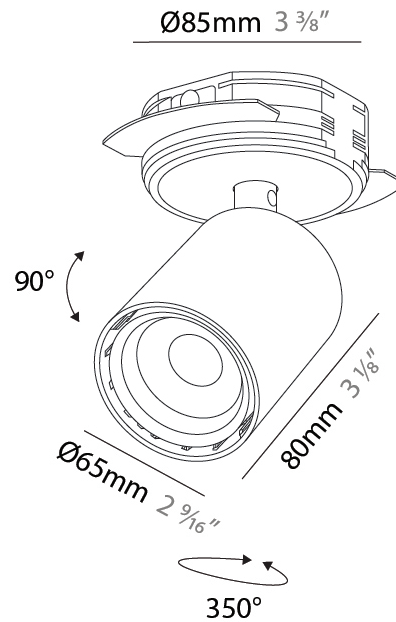
#### OPTICAL

Beam Angle: 14  
 Adjustability: Rotational 350°; Tilt 90°

#### RATINGS AND CERTIFICATIONS

Certified By: CSA Certified to UL and CSA Standards  
 IP rating: IP20

|           |
|-----------|
| PROJECT   |
| TYPE      |
| SPECIFIER |
| QUANTITY  |
| DATE      |



## OIKO PRO IN TRIMLESS

A3D353-

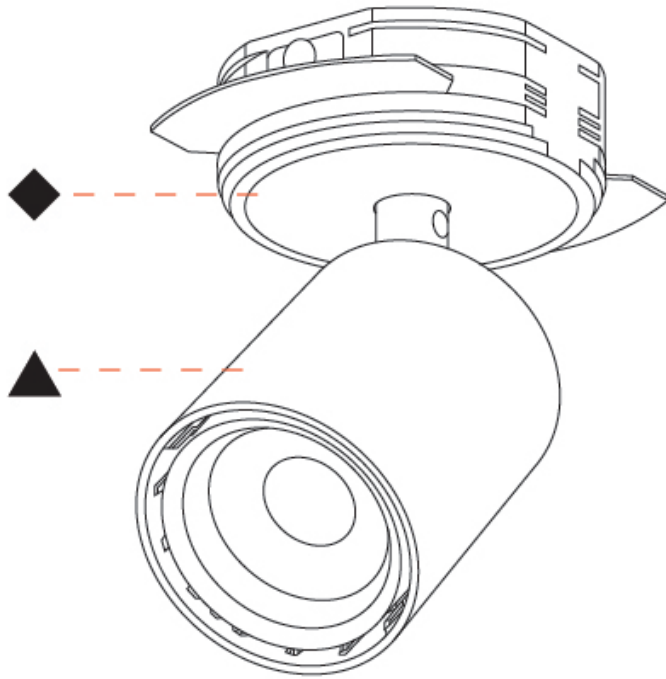
PROJECT

TYPE

SPECIFIER

QUANTITY

DATE



|           |       |
|-----------|-------|
| PROJECT   | _____ |
| TYPE      | _____ |
| SPECIFIER | _____ |
| QUANTITY  | _____ |
| DATE      | _____ |

## OIKO PRO IN TRIMLESS

### A3D354-

|             |             |           |            |
|-------------|-------------|-----------|------------|
| base number | Color       | Finishes  | Finishes   |
|             | Temperature | (Diamond) | (Triangle) |

- To build a product code in our configurator select the specify button on the base model # product page
- To build a manual product code on this datasheet choose from the options listed below in blue font and add the suffix to the base model #

#### GENERAL

|                                |
|--------------------------------|
| Series: Oiko Pro In            |
| Partner: Prolicht              |
| Division: Architectural        |
| Installation: Trimless         |
| Product Type: Spots            |
| Mounting Location: Ceiling     |
| Light Distribution: Adjustable |

#### PHYSICAL

|                                 |
|---------------------------------|
| Aperture Sizes - Downlights: 2" |
| Shape: Cylinder                 |
| Diameter (mm): 65               |
| Diameter (in): 2 9/16           |
| Height (mm): 120                |
| Depth (mm): 50                  |
| Height (in): 4 3/4              |
| Depth (in): 1 15/16             |

Fixture Finish: SSR / BKV / CWI / CRY / HAB / UFT / ITA / RUA / FTG / MYG / LOD / PUS / FRO / FUP / KIA / POP / BLS / SPG / MEY / GOH / CHC / COM / ABZ / JAG / OBR / MOS / ROR

|                                     |
|-------------------------------------|
| Fixture Material: Aluminum          |
| Cut-out Measurements: 86mm / 3 3/8" |

#### ELECTRICAL

|   |
|---|
| Lamp Type: LED                            |
| Input Wattage (W): 19.1                   |
| Total Output Wattage (W): 17.3            |
| Driver Included: No                       |
| Driver Location: Remote                   |
| Driver Type: Constant Current - Universal |
| Driver Class: Class 2                     |
| Input Voltage (V): 120 - 277              |
| Constant Current (MA): 500                |

#### LED

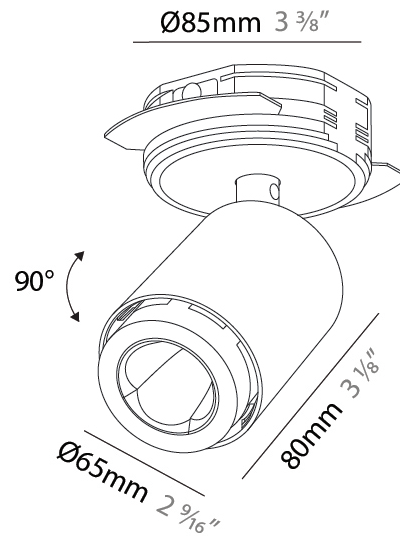
|  |
|--|
| Number of LEDs: 1                                    |
| Color Temperature (°K): 2700 / 3000 / 3500 / 4000    |
| Max. Delivered Lumen (lm): 1510 / 1517 / 1588 / 1603 |
| Nominal Lumen (lm): 2040 / 2050 / 2146 / 2166        |
| CRI: >90 CRI   |
| Lamp Life (hrs): 50000                               |

#### OPTICAL

|  |
|--|
| Beam Angle: 34                           |
| Adjustability: Rotational 350°; Tilt 90° |

#### RATINGS AND CERTIFICATIONS

|   |
|---|
| Certified By: CSA Certified to UL and CSA Standards |
| IP rating: IP20                                     |



A3D354-

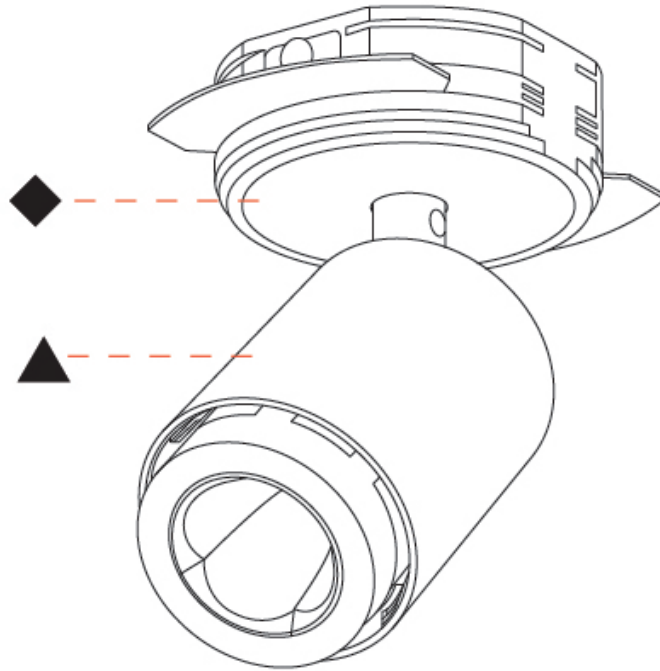
PROJECT

TYPE

SPECIFIER

QUANTITY

DATE



## OIKO PRO IN TRIMLESS

### A3D355-

base number    Color    Finishes    Finishes  
 Temperature    (Diamond)    (Triangle)

- To build a product code in our configurator select the specify button on the base model # product page
- To build a manual product code on this datasheet choose from the options listed below in blue font and add the suffix to the base model #

#### GENERAL

Series: Oiko Pro In  
 Partner: Prolicht  
 Division: Architectural  
 Installation: Trimless  
 Product Type: Spots  
 Mounting Location: Ceiling  
 Light Distribution: Adjustable

#### PHYSICAL

Aperture Sizes - Downlights: 2"  
 Shape: Cylinder  
 Diameter (mm): 65  
 Diameter (in): 2 <sup>9</sup>/<sub>16</sub>  
 Height (mm): 120  
 Depth (mm): 50  
 Height (in): 4 <sup>3</sup>/<sub>4</sub>  
 Depth (in): 1 <sup>15</sup>/<sub>16</sub>

Fixture Finish: SSR / BKV / CWI / CRY / HAB / UFT / ITA / RUA / FTG / MYG / LOD / PUS / FRO / FUP / KIA / POP / BLS / SPG / MEY / GOH / CHC / COM / ABZ / JAG / OBR / MOS / ROR

Fixture Material: Aluminum  
 Cut-out Measurements: 86mm / 3 3/8"

#### ELECTRICAL

Lamp Type: LED  
 Input Wattage (W): 19.1  
 Total Output Wattage (W): 17.3  
 Driver Included: No  
 Driver Location: Remote  
 Driver Type: Constant Current - Universal  
 Driver Class: Class 2  
 Input Voltage (V): 120 - 277  
 Constant Current (MA): 500

#### LED

Number of LEDs: 1  
 Color Temperature (°K): 2700 / 3000 / 3500 / 4000  
 Max. Delivered Lumen (lm): 1656 / 1665 / 1743 / 1759  
 Nominal Lumen (lm): 2040 / 2050 / 2146 / 2166  
 CRI: >90 CRI  
 Lamp Life (hrs): 50000

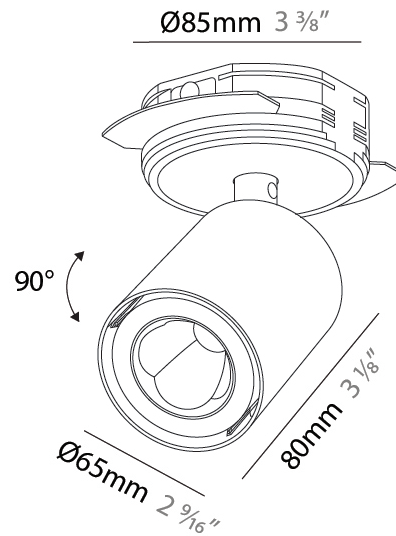
#### OPTICAL

Beam Angle: 50  
 Adjustability: Rotational 350°; Tilt 90°

#### RATINGS AND CERTIFICATIONS

Certified By: CSA Certified to UL and CSA Standards  
 IP rating: IP20

|           |
|-----------|
| PROJECT   |
| TYPE      |
| SPECIFIER |
| QUANTITY  |
| DATE      |



A3D355-

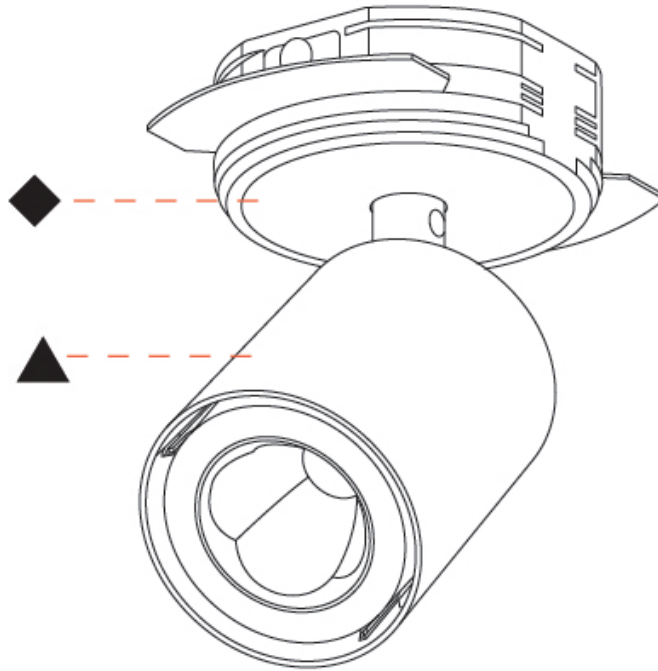
PROJECT

TYPE

SPECIFIER

QUANTITY

DATE



## OIKO PRO IN TRIMLESS

### A3D356-

base number    Color    Finishes    Finishes  
 Temperature    (Diamond)    (Triangle)

- To build a product code in our configurator select the specify button on the base model # product page
- To build a manual product code on this datasheet choose from the options listed below in blue font and add the suffix to the base model #

#### GENERAL

Series: Oiko Pro In  
 Partner: Prolicht  
 Division: Architectural  
 Installation: Trimless  
 Product Type: Spots  
 Mounting Location: Ceiling  
 Light Distribution: Adjustable

#### PHYSICAL

Aperture Sizes - Downlights: 2"  
 Shape: Cylinder  
 Diameter (mm): 65  
 Diameter (in): 2 <sup>9</sup>/<sub>16</sub>  
 Height (mm): 120  
 Depth (mm): 50  
 Height (in): 4 <sup>3</sup>/<sub>4</sub>  
 Depth (in): 1 <sup>15</sup>/<sub>16</sub>

Fixture Finish: SSR / BKV / CWI / CRY / HAB / UFT / ITA / RUA / FTG / MYG / LOD / PUS / FRO / FUP / KIA / POP / BLS / SPG / MEY / GOH / CHC / COM / ABZ / JAG / OBR / MOS / ROR

Fixture Material: Aluminum  
 Cut-out Measurements: 86mm / 3 3/8"

#### ELECTRICAL

Lamp Type: LED  
 Input Wattage (W): 19.1  
 Total Output Wattage (W): 17.3  
 Driver Included: No  
 Driver Location: Remote  
 Driver Type: Constant Current - Universal  
 Driver Class: Class 2  
 Input Voltage (V): 120 - 277  
 Constant Current (MA): 500

#### LED

Number of LEDs: 1  
 Color Temperature (°K): 2700 / 3000 / 3500 / 4000  
 Max. Delivered Lumen (lm): 1820 / 1829 / 1914 / 1932  
 Nominal Lumen (lm): 2040 / 2050 / 2146 / 2166  
 CRI: >90 CRI  
 Lamp Life (hrs): 50000

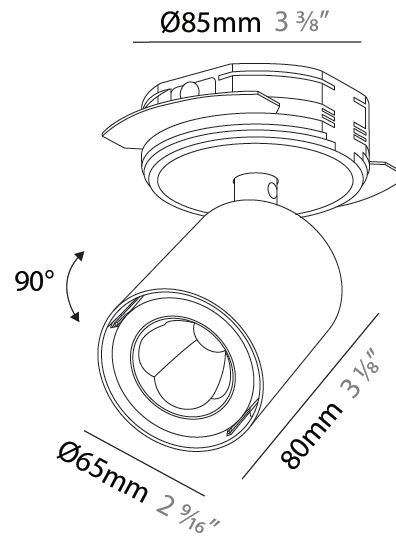
#### OPTICAL

Beam Angle: 62  
 Adjustability: Rotational 350°; Tilt 90°

#### RATINGS AND CERTIFICATIONS

Certified By: CSA Certified to UL and CSA Standards  
 IP rating: IP20

|           |
|-----------|
| PROJECT   |
| TYPE      |
| SPECIFIER |
| QUANTITY  |
| DATE      |



A3D356-

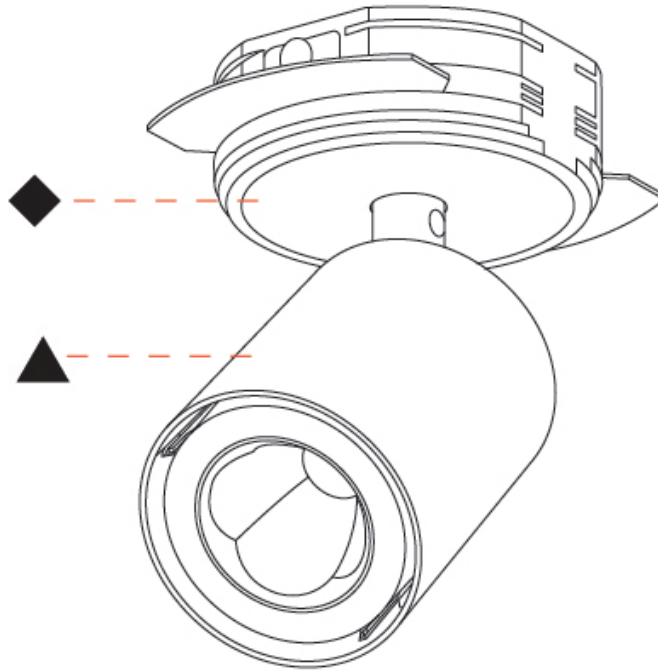
PROJECT

TYPE

SPECIFIER

QUANTITY

DATE



A

|           |
|-----------|
| PROJECT   |
| TYPE      |
| SPECIFIER |
| QUANTITY  |
| DATE      |

## OIKO PRO IN SURFACE

### A3D357- -

base number      Finishes (Diamond)      Finishes (Triangle)

- To build a product code in our configurator select the specify button on the base model # product page
- To build a manual product code on this datasheet choose from the options listed below in blue font and add the suffix to the base model #

#### GENERAL

Series: Oiko Pro In  
 Partner: Prolicht  
 Division: Architectural  
 Installation: Surface  
 Product Type: Wallwash  
 Mounting Location: Ceiling  
 Light Distribution: Adjustable

#### PHYSICAL

Shape: Cylinder  
 Diameter (mm): 65  
 Diameter (in): 2 <sup>9</sup>/<sub>16</sub>  
 Height (mm): 120  
 Depth (mm): 50  
 Height (in): 4 <sup>3</sup>/<sub>4</sub>  
 Depth (in): 1 <sup>15</sup>/<sub>16</sub>  
 Fixture Finish: SSR / BKV / CWI / CRY / HAB / UFT / ITA / RUA / FTG / MYG / LOD / PUS / FRO / FUP / KIA / POP / BLS / SPG / MEY / GOH / CHC / COM / ABZ / JAG / OBR / MOS / ROR  
 Fixture Material: Aluminum  
 Cut-out Measurements: 68mm / 2 11/16"

#### ELECTRICAL

Lamp Type: LED  
 Input Wattage (W): 14.4  
 Total Output Wattage (W): 13  
 Driver Included: No  
 Driver Location: Remote  
 Driver Type: Constant Current - Universal  
 Driver Class: Class 2  
 Input Voltage (V): 120 - 277  
 Constant Current (MA): 700

#### LED

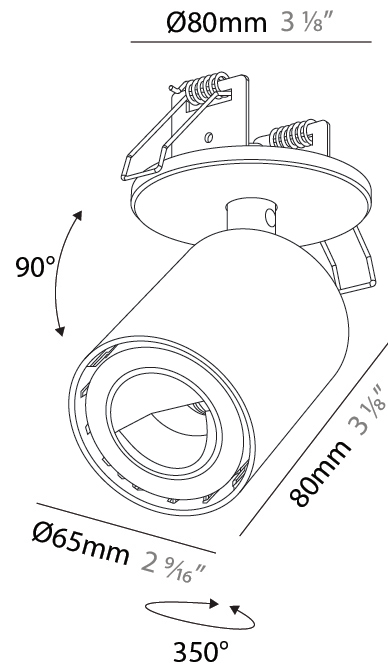
Number of LEDs: 1  
 Color Temperature (°K): 2700-6500 Tunable White  
 Max. Delivered Lumen (lm): 988 - 1162  
 Nominal Lumen (lm): 1242 - 1460  
 CRI: >90 CRI  
 Lamp Life (hrs): 50000

#### OPTICAL

Adjustability: Rotational 350°; Tilt 90°

#### RATINGS AND CERTIFICATIONS

Certified By: CSA Certified to UL and CSA Standards  
 IP rating: IP20



A3D357-

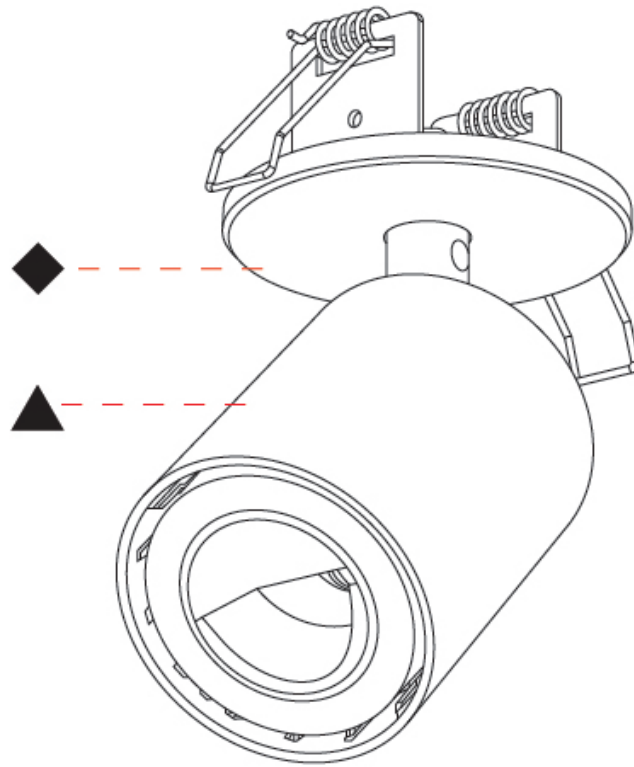
PROJECT

TYPE

SPECIFIER

QUANTITY

DATE



A

|           |       |
|-----------|-------|
| PROJECT   | _____ |
| TYPE      | _____ |
| SPECIFIER | _____ |
| QUANTITY  | _____ |
| DATE      | _____ |

## OIKO PRO IN SURFACE

### A3D358- -

base number      Finishes (Diamond)      Finishes (Triangle)

- To build a product code in our configurator select the specify button on the base model # product page
- To build a manual product code on this datasheet choose from the options listed below in blue font and add the suffix to the base model #

#### GENERAL

Series: Oiko Pro In  
 Partner: Prolicht  
 Division: Architectural  
 Installation: Surface  
 Product Type: Spots  
 Mounting Location: Ceiling  
 Light Distribution: Adjustable

#### PHYSICAL

Aperture Sizes - Downlights: 2"  
 Shape: Cylinder  
 Diameter (mm): 65  
 Diameter (in): 2 <sup>9</sup>/<sub>16</sub>  
 Height (mm): 120  
 Depth (mm): 50  
 Height (in): 4 <sup>3</sup>/<sub>4</sub>  
 Depth (in): 1 <sup>15</sup>/<sub>16</sub>

Fixture Finish: SSR / BKV / CWI / CRY / HAB / UFT / ITA / RUA / FTG / MYG / LOD / PUS / FRO / FUP / KIA / POP / BLS / SPG / MEY / GOH / CHC / COM / ABZ / JAG / OBR / MOS / ROR

Fixture Material: Aluminum  
 Cut-out Measurements: 68mm / 2 11/16"

#### ELECTRICAL

Lamp Type: LED  
 Input Wattage (W): 14.4  
 Total Output Wattage (W): 13.1  
 Driver Included: No  
 Driver Location: Remote  
 Driver Type: Constant Current - Universal  
 Driver Class: Class 2  
 Input Voltage (V): 120 - 277  
 Constant Current (MA): 700

#### LED

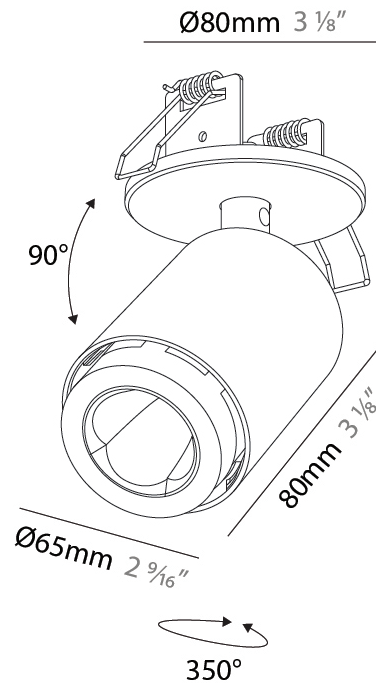
Number of LEDs: 1  
 Color Temperature (°K): 2700-6500 Tunable White  
 Max. Delivered Lumen (lm): 919 - 1081  
 Nominal Lumen (lm): 1242 - 1460  
 CRI: >90 CRI  
 Lamp Life (hrs): 50000

#### OPTICAL

Beam Angle: 34  
 Adjustability: Rotational 350°; Tilt 90°

#### RATINGS AND CERTIFICATIONS

Certified By: CSA Certified to UL and CSA Standards  
 IP rating: IP20



A3D358-

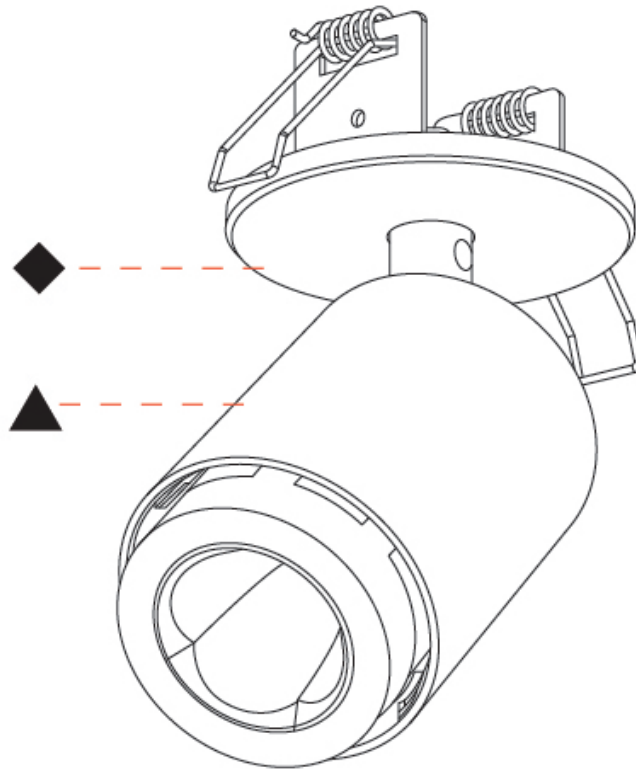
PROJECT \_\_\_\_\_

TYPE \_\_\_\_\_

SPECIFIER \_\_\_\_\_

QUANTITY \_\_\_\_\_

DATE \_\_\_\_\_



A

## OIKO PRO IN SURFACE

### A3D359-

base number      Finishes (Diamond)      Finishes (Triangle)

- To build a product code in our configurator select the specify button on the base model # product page
- To build a manual product code on this datasheet choose from the options listed below in blue font and add the suffix to the base model #

#### GENERAL

Series: Oiko Pro In  
 Partner: Prolicht  
 Division: Architectural  
 Installation: Surface  
 Product Type: Spots  
 Mounting Location: Ceiling  
 Light Distribution: Adjustable

#### PHYSICAL

Aperture Sizes - Downlights: 2"  
 Shape: Cylinder  
 Diameter (mm): 65  
 Diameter (in): 2 <sup>9</sup>/<sub>16</sub>  
 Height (mm): 120  
 Depth (mm): 50  
 Height (in): 4 <sup>3</sup>/<sub>4</sub>  
 Depth (in): 1 <sup>15</sup>/<sub>16</sub>

Fixture Finish: SSR / BKV / CWI / CRY / HAB / UFT / ITA / RUA / FTG / MYG / LOD / PUS / FRO / FUP / KIA / POP / BLS / SPG / MEY / GOH / CHC / COM / ABZ / JAG / OBR / MOS / ROR

Fixture Material: Aluminum  
 Cut-out Measurements: 68mm / 2 11/16"

#### ELECTRICAL

Lamp Type: LED  
 Input Wattage (W): 14.4  
 Total Output Wattage (W): 13.1  
 Driver Included: No  
 Driver Location: Remote  
 Driver Type: Constant Current - Universal  
 Driver Class: Class 2  
 Input Voltage (V): 120 - 277  
 Constant Current (MA): 700

#### LED

Number of LEDs: 1  
 Color Temperature (°K): 2700 / 3000 / 3500 / 4000  
 Max. Delivered Lumen (lm): 1008 - 1186  
 Nominal Lumen (lm): 1242 - 1460  
 CRI: >90 CRI  
 Lamp Life (hrs): 50000

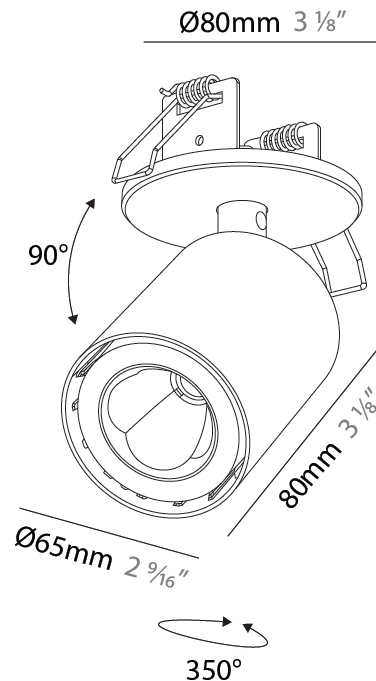
#### OPTICAL

Beam Angle: 50  
 Adjustability: Rotational 350°; Tilt 90°

#### RATINGS AND CERTIFICATIONS

Certified By: CSA Certified to UL and CSA Standards  
 IP rating: IP20

|           |
|-----------|
| PROJECT   |
| TYPE      |
| SPECIFIER |
| QUANTITY  |
| DATE      |



A3D359-

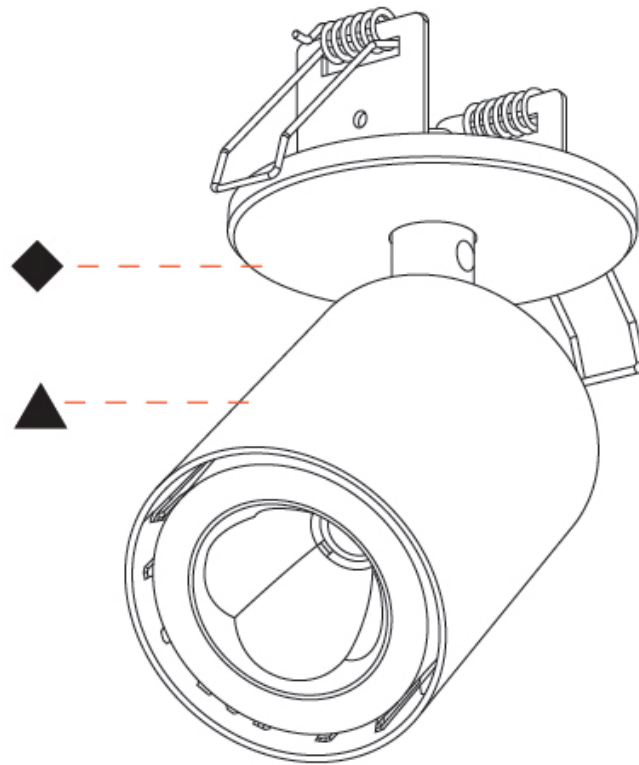
PROJECT \_\_\_\_\_

TYPE \_\_\_\_\_

SPECIFIER \_\_\_\_\_

QUANTITY \_\_\_\_\_

DATE \_\_\_\_\_



A

|           |       |
|-----------|-------|
| PROJECT   | _____ |
| TYPE      | _____ |
| SPECIFIER | _____ |
| QUANTITY  | _____ |
| DATE      | _____ |

## OIKO PRO IN SURFACE

### A3D360-

base number      Finishes (Diamond)      Finishes (Triangle)

- To build a product code in our configurator select the specify button on the base model # product page
- To build a manual product code on this datasheet choose from the options listed below in blue font and add the suffix to the base model #

#### GENERAL

Series: Oiko Pro In  
 Partner: Prolicht  
 Division: Architectural  
 Installation: Surface  
 Product Type: Spots  
 Mounting Location: Ceiling  
 Light Distribution: Adjustable

#### PHYSICAL

Aperture Sizes - Downlights: 2"  
 Shape: Cylinder  
 Diameter (mm): 65  
 Diameter (in): 2 9/16  
 Height (mm): 120  
 Depth (mm): 50  
 Height (in): 4 3/4  
 Depth (in): 1 15/16

Fixture Finish: SSR / BKV / CWI / CRY / HAB / UFT / ITA / RUA / FTG / MYG / LOD / PUS / FRO / FUP / KIA / POP / BLS / SPG / MEY / GOH / CHC / COM / ABZ / JAG / OBR / MOS / ROR

Fixture Material: Aluminum  
 Cut-out Measurements: 68mm / 2 11/16"

#### ELECTRICAL

Lamp Type: LED  
 Input Wattage (W): 14.4  
 Total Output Wattage (W): 13.1  
 Driver Included: No  
 Driver Location: Remote  
 Driver Type: Constant Current - Universal  
 Driver Class: Class 2  
 Input Voltage (V): 120 - 277  
 Constant Current (MA): 700

#### LED

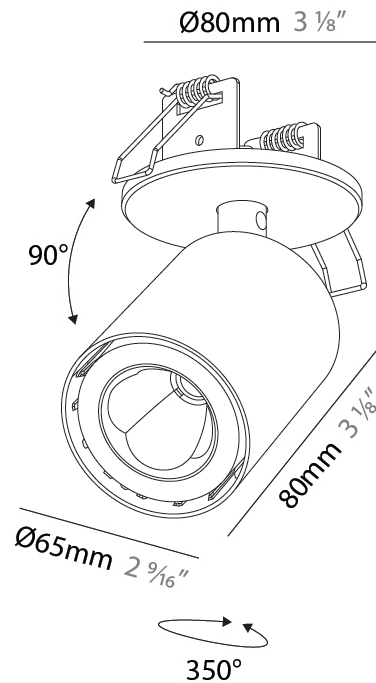
Number of LEDs: 1  
 Color Temperature (°K): 2700 / 3000 / 3500 / 4000  
 Max. Delivered Lumen (lm): 1175 - 1381  
 Nominal Lumen (lm): 1242 - 1460  
 CRI: >90 CRI  
 Lamp Life (hrs): 50000

#### OPTICAL

Beam Angle: 62  
 Adjustability: Rotational 350°; Tilt 90°

#### RATINGS AND CERTIFICATIONS

Certified By: CSA Certified to UL and CSA Standards  
 IP rating: IP20



A3D360-

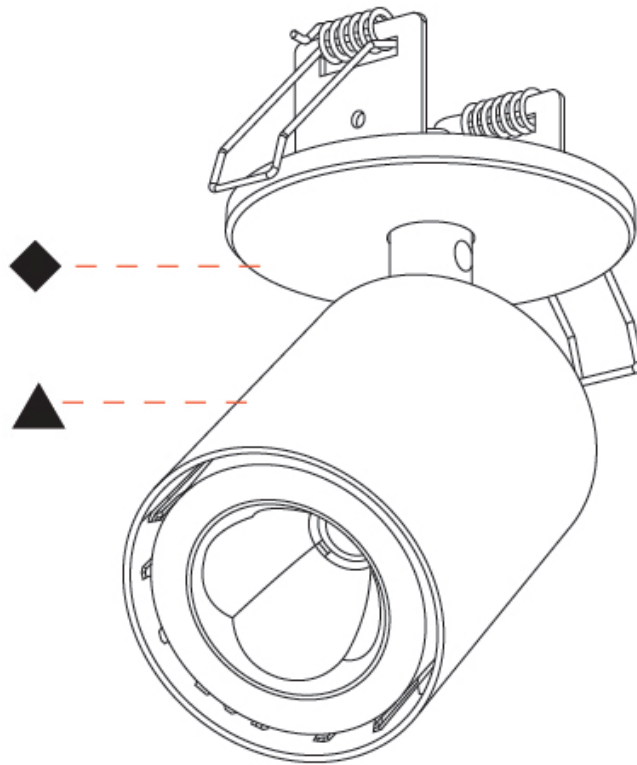
PROJECT \_\_\_\_\_

TYPE \_\_\_\_\_

SPECIFIER \_\_\_\_\_

QUANTITY \_\_\_\_\_

DATE \_\_\_\_\_



A

## OIKO PRO IN TRIMLESS

### A3D361-

base number      Finishes (Diamond)      -      Finishes (Triangle)

- To build a product code in our configurator select the specify button on the base model # product page
- To build a manual product code on this datasheet choose from the options listed below in blue font and add the suffix to the base model #

#### GENERAL

Series: Oiko Pro In  
 Subseries: Oiko Pro In  
 Partner: Prolicht  
 Division: Architectural  
 Installation: Trimless  
 Product Type: Wallwash  
 Mounting Location: Ceiling  
 Light Distribution: Adjustable

#### PHYSICAL

Shape: Cylinder  
 Diameter (mm): 65  
 Diameter (in): 2 <sup>9</sup>/<sub>16</sub>  
 Height (mm): 120  
 Depth (mm): 50  
 Height (in): 4 <sup>3</sup>/<sub>4</sub>  
 Depth (in): 1 <sup>15</sup>/<sub>16</sub>

Fixture Finish: SSR / BKV / CWI / CRY / HAB / UFT / ITA / RUA / FTG / MYG / LOD / PUS / FRO / FUP / KIA / POP / BLS / SPG / MEY / GOH / CHC / COM / ABZ / JAG / OBR / MOS / ROR

Fixture Material: Aluminum  
 Cut-out Measurements: 68mm / 2 11/16"

#### ELECTRICAL

Lamp Type: LED  
 Input Wattage (W): 14.4  
 Total Output Wattage (W): 13.1  
 Driver Included: No  
 Driver Location: Remote  
 Driver Type: Constant Current - Universal  
 Driver Class: Class 2  
 Input Voltage (V): 120  
 Constant Current (MA): 700

#### LED

Number of LEDs: 1  
 Color Temperature (°K): 2700-6500 Tunable White  
 Max. Delivered Lumen (lm): 988 - 1162  
 Nominal Lumen (lm): 1242 - 1460  
 CRI: >90 CRI  
 Lamp Life (hrs): 50000

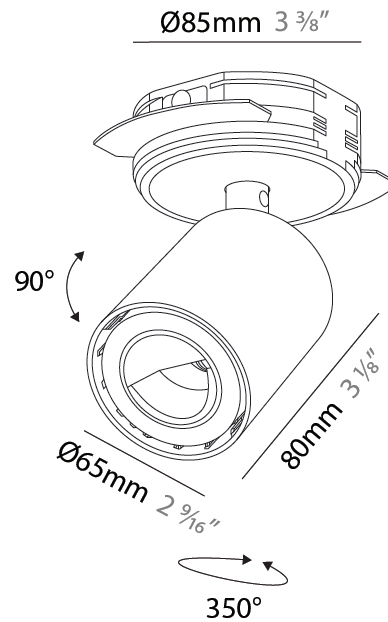
#### OPTICAL

Adjustability: Rotational 350°; Tilt 90°

#### RATINGS AND CERTIFICATIONS

Certified By: CSA Certified to UL and CSA Standards  
 IP rating: IP20

|           |
|-----------|
| PROJECT   |
| TYPE      |
| SPECIFIER |
| QUANTITY  |
| DATE      |



A3D361-

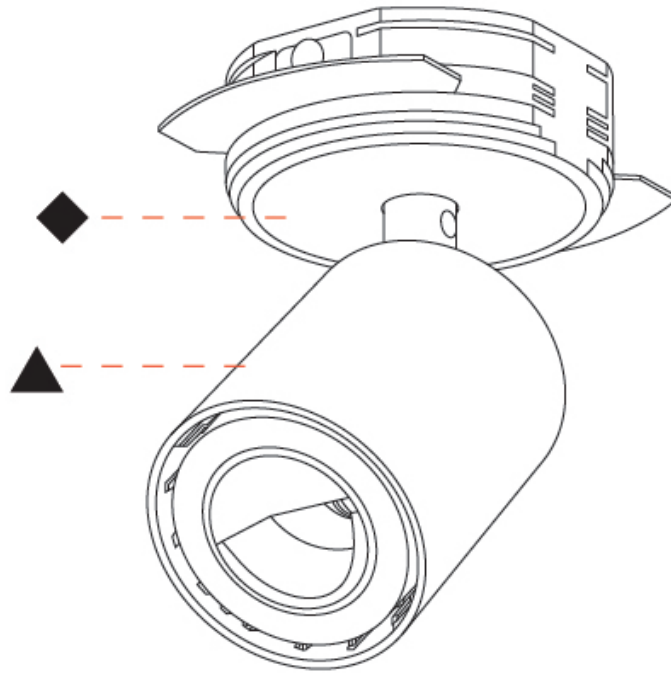
PROJECT

TYPE

SPECIFIER

QUANTITY

DATE



## OIKO PRO IN TRIMLESS

### A3D363-

base number      Finishes (Diamond)      Finishes (Triangle)

- To build a product code in our configurator select the specify button on the base model # product page
- To build a manual product code on this datasheet choose from the options listed below in blue font and add the suffix to the base model #

#### GENERAL

Series: Oiko Pro In  
 Partner: Prolicht  
 Division: Architectural  
 Installation: Trimless  
 Product Type: Spots  
 Mounting Location: Ceiling  
 Light Distribution: Adjustable

#### PHYSICAL

Aperture Sizes - Downlights: 2"  
 Shape: Cylinder  
 Diameter (mm): 65  
 Diameter (in): 2 <sup>9</sup>/<sub>16</sub>  
 Height (mm): 120  
 Depth (mm): 50  
 Height (in): 4 <sup>3</sup>/<sub>4</sub>  
 Depth (in): 1 <sup>15</sup>/<sub>16</sub>

Fixture Finish: SSR / BKV / CWI / CRY / HAB / UFT / ITA / RUA / FTG / MYG / LOD / PUS / FRO / FUP / KIA / POP / BLS / SPG / MEY / GOH / CHC / COM / ABZ / JAG / OBR / MOS / ROR

Fixture Material: Aluminum  
 Cut-out Measurements: 86mm / 3 3/8"

#### ELECTRICAL

Lamp Type: LED  
 Input Wattage (W): 14.4  
 Total Output Wattage (W): 13.1  
 Driver Included: No  
 Driver Location: Remote  
 Driver Type: Constant Current - Universal  
 Driver Class: Class 2  
 Input Voltage (V): 120 - 277  
 Constant Current (MA): 700

#### LED

Number of LEDs: 1  
 Color Temperature (°K): 2700 / 3000 / 3500 / 4000  
 Max. Delivered Lumen (lm): 1008 - 1186  
 Nominal Lumen (lm): 1242 - 1460  
 CRI: >90 CRI  
 Lamp Life (hrs): 50000

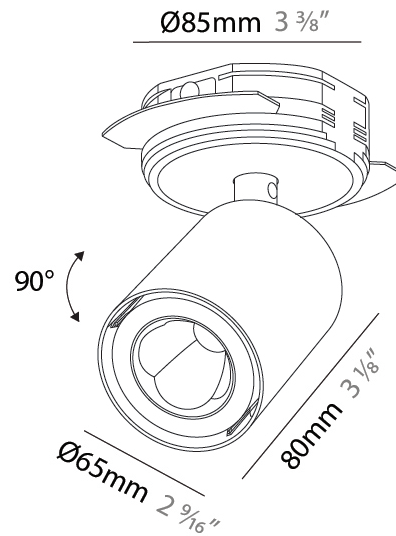
#### OPTICAL

Beam Angle: 50  
 Adjustability: Rotational 350°; Tilt 90°

#### RATINGS AND CERTIFICATIONS

Certified By: CSA Certified to UL and CSA Standards  
 IP rating: IP20

|           |
|-----------|
| PROJECT   |
| TYPE      |
| SPECIFIER |
| QUANTITY  |
| DATE      |



A3D363-

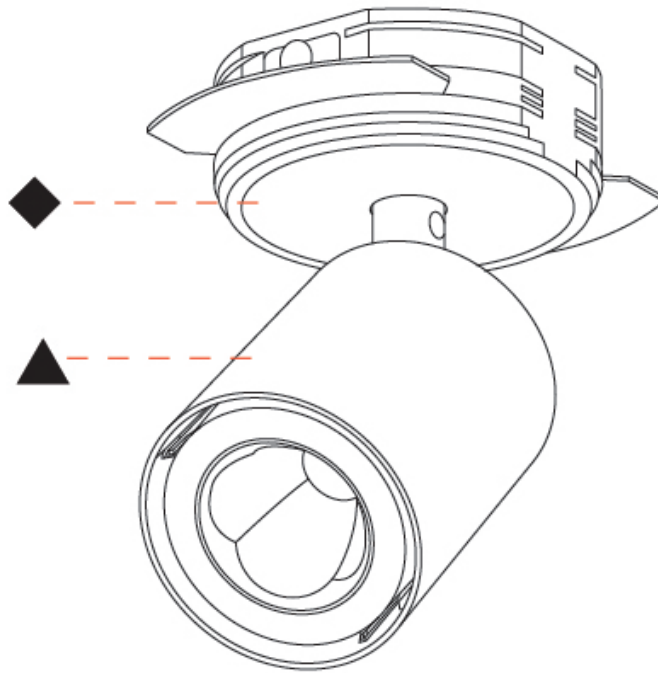
PROJECT

TYPE

SPECIFIER

QUANTITY

DATE



A

## OIKO PRO IN TRIMLESS

### A3D364-

base number      Finishes (Diamond)      Finishes (Triangle)

- To build a product code in our configurator select the specify button on the base model # product page
- To build a manual product code on this datasheet choose from the options listed below in blue font and add the suffix to the base model #

#### GENERAL

Series: Oiko Pro In  
 Partner: Prolicht  
 Division: Architectural  
 Installation: Trimless  
 Product Type: Spots  
 Mounting Location: Ceiling  
 Light Distribution: Adjustable

#### PHYSICAL

Aperture Sizes - Downlights: 2"  
 Shape: Cylinder  
 Diameter (mm): 65  
 Diameter (in): 2 <sup>9</sup>/<sub>16</sub>  
 Height (mm): 120  
 Depth (mm): 50  
 Height (in): 4 <sup>3</sup>/<sub>4</sub>  
 Depth (in): 1 <sup>15</sup>/<sub>16</sub>

Fixture Finish: SSR / BKV / CWI / CRY / HAB / UFT / ITA / RUA / FTG / MYG / LOD / PUS / FRO / FUP / KIA / POP / BLS / SPG / MEY / GOH / CHC / COM / ABZ / JAG / OBR / MOS / ROR

Fixture Material: Aluminum  
 Cut-out Measurements: 68mm / 2 11/16"

#### ELECTRICAL

Lamp Type: LED  
 Input Wattage (W): 14.4  
 Total Output Wattage (W): 13.1  
 Dimming: Tri-Mode (Non-Dimming and Phase Dimming (120Vac only) and 0-10V Dimming)  
 Driver Included: No  
 Driver Location: Remote  
 Driver Type: Constant Current - Universal  
 Driver Class: Class 2  
 Input Voltage (V): 120 - 277  
 Constant Current (MA): 700

#### LED

Number of LEDs: 1  
 Color Temperature (°K): 2700 / 3000 / 3500 / 4000  
 Max. Delivered Lumen (lm): 1175 - 1381  
 Nominal Lumen (lm): 1242 - 1460  
 CRI: >90 CRI  
 Lamp Life (hrs): 50000

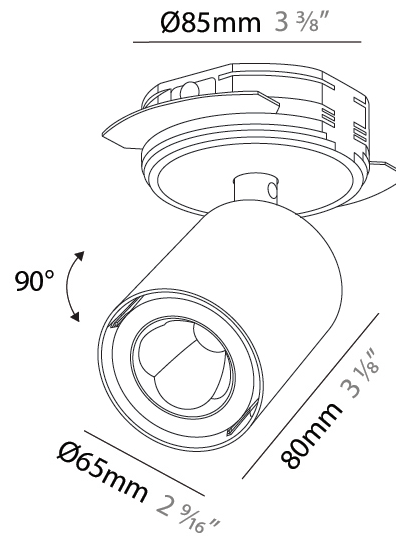
#### OPTICAL

Beam Angle: 62  
 Adjustability: Rotational 350°; Tilt 90°

#### RATINGS AND CERTIFICATIONS

Certified By: CSA Certified to UL and CSA Standards  
 IP rating: IP20

|           |
|-----------|
| PROJECT   |
| TYPE      |
| SPECIFIER |
| QUANTITY  |
| DATE      |



A3D364-

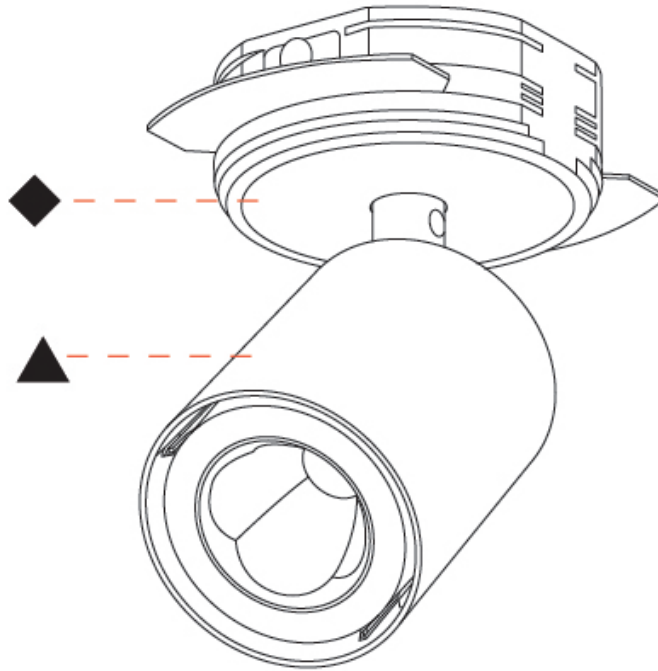
PROJECT

TYPE

SPECIFIER

QUANTITY

DATE



A

PROJECT \_\_\_\_\_  
 TYPE \_\_\_\_\_  
 SPECIFIER \_\_\_\_\_  
 QUANTITY \_\_\_\_\_  
 DATE \_\_\_\_\_

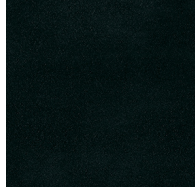
## OIKO PRO IN COLOR FINISH CHART

### Fixture Finish

Sparkling Silver - 01 (SSR)



Black Velvet - 02 (BKV)



Crystal White - 03 (CWI)



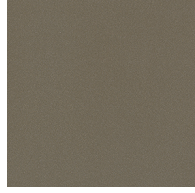
Creamy - 04 (CRY)



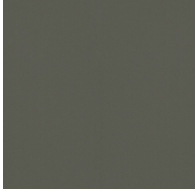
Hampton Bay - 05 (HAB)



Urban Forest - 07 (UFT)



In the Army - 08 (ITA)



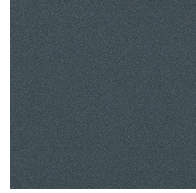
Rusty Angel - 09 (RUA)



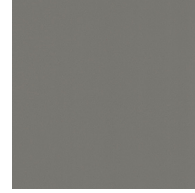
Fade to Gray - 12 (FTG)



Mysterious Gray - 13 (MYG)



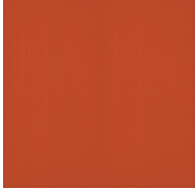
Lost Dream - 15 (LOD)



Purple Sky - 16 (PUS)



Fresh Oh - 17 (FRO)



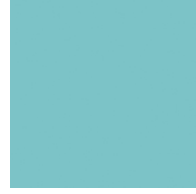
Funky P. - 18 (FUP)



Kissing Aphrodite - 19 (KIA)



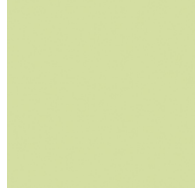
Poseidon's Paradise - 20 (POP)



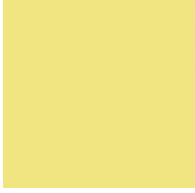
Blue Sky - 21 (BLS)



Spring Green - 22 (SPG)



Mellow Yellow - 23 (MEY)



Golden Heart - 24 (GOH)



Champagne Cream - 26 (CHC)



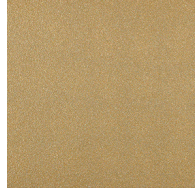
Copper Mine - 27 (COM)



Ancient Bronze - 28 (ABZ)



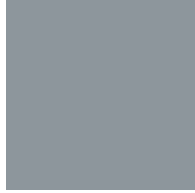
Jazz Gold - 29 (JAG)



Olive Breeze - 30 (OBR)



Moonlight Silver - 31 (MOS)



Rosewood Red - 32 (ROR)






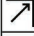


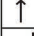



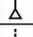


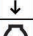








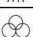


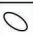











































**Digital:** Not all screens are calibrated the same, and therefore, colors will appear differently between screens.

**Physical:** When texture is involved, there will be variations in color, character and tone within a product series and between product families.









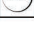

**Champagne Cream, Copper Mine, Ancient Bronze + Jazz Gold:** These finishes have slight fading from specific powder coating production. Each luminaire will slightly vary.






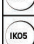






### LEGEND

|  |   |   |  |   |  |
|--|---|---|--|---|--|
|    | floor-mounted   |    | pivotal  |    | special LED (upon request) RGB, RGBW, tunable, gold+, meat+, art+, fashion+                    |
|    | wall and ceiling: recessed and surface mounted            |    | rotating   |    | warm dim / natural dimming LED   |
|    | ceiling-mounted and wall-mounted                          |    | illuminate tilted  |    | rechargeable battery powered   |
|    | wall-mounted  |    | color of suspension cable                                    |    | fixture with natural vivid LED (upon request)  |
|    | omni-directional light distribution                       |    | length of suspension cable                                   |    | color rendering index  |
|    | direct light distribution                                 |    | reflector degree selection                                   |    | color temperature  |
|    | direct/indirect light distribution                        |    | super spot   |    | lumen (luminous flux)  |
|    | indirect light distribution                               |    | lens   |    | efficacy (lumens per watt)   |
|    | asymmetric light distribution                             |    | lens pack  |    | Unified Glare Rating (UGR) range from 5-40   |
|    | aura light distribution                                   |    | shine ring   |    | marine grade (AISI 316 stainless steel)  |
|    | round wall or ceiling cut-out                             |    | integrated shine ring with diffuser                          |    | walk on  |
|    | square wall or ceiling cut-out                            |    | free individual colors 01-29                                 |    | drive on   |
|    | the supplied jig specifies the cutout dimensions          |    | individual colors: 00 (free of charge), 01-25 (extra charge) |    | Dark Sky Compliance  |
|    | minimum distance (meters) lamp - object                   |    | luminaire part to be colored (F1)                            |    | Americans with Disabilities Act (less than 4" off the wall located between 27"-84" from floor) |
|    | recessed depth  |    | luminaire part to be colored (F2)                            |    | lamp protected against explosion   |
|   | ceiling thickness in mm                                   |   | luminaire part to be colored (F3)                            |   | blown glass using traditional methods by master glass blower                                   |
|  | ceiling thickness selection                               |  | luminaire part to be colored (F4)                            |  | acoustic material  |
|  | dimmable DP (phase), DV (0-10V), DD (dali), DS (step-dim) |  | luminaire part to be colored (F5)                            |  | protection class I, protection insulation  |
|  | included or excluded LED driver/transformer/control gear  |  | color of 3-circuit adaptor                                   |  | protection class II, protection insulation   |
|  | separately switchable                                     |  | indirect diffuser  |  | ETL Certified to UL and CSA Standards  |
|  | sensor  |  | direct diffuser  |  | UL Certified to UL and CSA Standards   |
|  | remote control  |  | ball-proof (upon request)                                    |  | CSA Certified to UL and CSA Standards  |
|  | available upon request                                    |  | accessory  |  | Certified for North American Standards   |

### IP RATING

|   |  |
|---|--|
|  | protected against ingress of solid bodies greater than 12.5mm (finger)   |
|  | protected against ingress of solid bodies greater than 2.5mm<br>protected against sprays of water up to 60 degrees from the vertical (rain)      |
|  | protected against ingress of solid bodies greater than 1mm (wire)<br>no protection against the ingress of moisture                               |
|  | protected against ingress of solid bodies greater than 1mm (wire)<br>protected against sprays of water up to 60 degrees from the vertical (rain) |
|  | protected against ingress of solid bodies greater than 1mm (wire)<br>protected against water splashed from all directions                        |
|  | protected against limited ingress of dust (wet rooms/covered outdoor areas)<br>protected against water splashed from all directions              |
|  | protected against ingress of dust<br>protected against jets of water   |
|  | protected against ingress of dust<br>protected against powerful jets of water or heavy seas  |
|  | protected against ingress of dust<br>protected against immersion of water between 15cm - 1m for 30 minutes                                       |
|  | protected against ingress of dust<br>protected against immersion of water under pressure for long periods  |

### IK RATING

|   |   |
|---|---|
|  | protected against 0.14 joules impact (equivalent to 0.25kg mass dropped from 56mm above the surface)  |
|  | protected against 0.2 joules impact (equivalent to 0.25kg mass dropped from 80mm above the surface)   |
|  | protected against 0.35 joules impact (equivalent to 0.25kg mass dropped from 140mm above the surface) |
|  | protected against 0.5 joules impact (equivalent to 0.25kg mass dropped from 200mm above the surface)  |
|  | protected against 0.7 joules impact (equivalent to 0.25kg mass dropped from 280mm above the surface)  |
|  | protected against 1 joules impact (equivalent to 0.25kg mass dropped from 400mm above the surface)    |
|  | protected against 2 joules impact (equivalent to 0.5kg mass dropped from 400mm above the surface)     |
|  | protected against 5 joules impact (equivalent to 1.7kg mass dropped from 300mm above the surface)     |
|  | protected against 10 joules impact (equivalent to 5.0kg mass dropped from 200mm above the surface)    |
|  | protected against 20 joules impact (equivalent to 5.0kg mass dropped from 400mm above the surface)    |